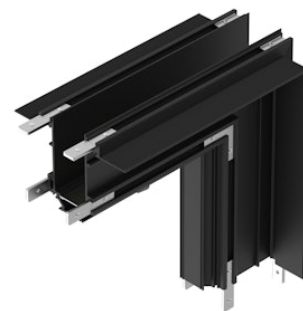


FLOS

06.1651.14 Black

Outer Corner. Can be powered

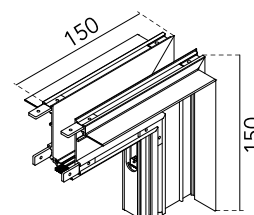
Designed by FLOS Architectural, 2015



Length: 150 - Wall recessed, Ceiling recessed

Are you a professional and your project needs consulting and support?

BOOK AN APPOINTMENT



Main specifications

Mounting	Wall recessed, Ceiling recessed
Environments	Indoor dry location
Light sources included	no

Physical

Colour	Black
Trim	No
Recessed depth (mm)	86
Length (mm)	150
Net weight (kg)	0.76
IP internal	20
IP external	20

Download

Mounting instructions

↓ PDF



Photometric

Extreme cut off No

Electrical

Forward voltage (V) 24

Accessories & Power Supply



OPTIONAL
Power supply

Electrical

60.9352

LED power supply source for remote installation in 24V/200W electric control panel. To avoid problems of overload it is recommended to install a power source every 185W. 100/240V.



OPTIONAL
Power supply

Electrical

60.9089

Electronic transformer with constant voltage (24V) for LED. 100/240V. 60W



OPTIONAL
Power supply

Electrical

60.9407

Electronic transformer with constant voltage (24V) for LED. 100/240V. 120W



OPTIONAL
Installation

08.8865.14A

Endcap. 2 unit kit