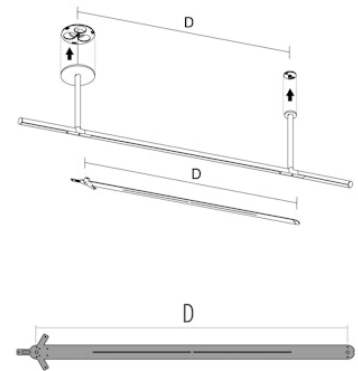


# FLOS

08.0032.00 Transparent Glass

## Aluminium Stencil Installation. D: 1100mm

Designed by FLOS Architectural, 2016



Aluminium stencil to mark the points for installing the rods available as separate item.

Are you a professional and your project needs consulting and support?

[BOOK AN APPOINTMENT](#)

### Download

[Mounting instructions](#)



### Main specifications

Environments	Indoor dry location
Light sources included	no

### Physical

Colour	Transparent Glass
Trim	No
Net weight (kg)	0.54
IP internal	20



### Electrical

Emergency No