

# FLOS

F8001009 White

## Viscontea

Designed by Achille and Pier Giacomo Castiglioni, 1960

Halogen - 100W



Suspension lamp providing diffused light. White powder coated internal steel structure sprayed with a unique cocoon resin to create the diffuser which is then protected by a transparent sprayed on finish.

Are you a professional and your project needs consulting and support?

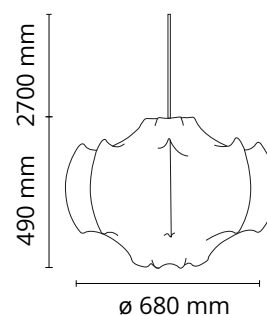
[BOOK AN APPOINTMENT](#)

### Main specifications

EAN	8059607024010
Mounting	Suspension
Environments	Indoor dry location
Light source type	Bulb
Light sources included	No
Lamp category	Halogen
Lamp holders	E27
Icos	HSGS
Number of lamps	1
Power (W)	100

### Physical

Colour	White
Length (mm)	680
Cord colour	White
Cord length (mm)	2700
Canopy colour	White
Canopy length/diameter (mm)	146
Canopy height (mm)	36
Net weight (kg)	1.9
Package height (mm)	715
Package width (mm)	520
Package length (mm)	715
Package volume (m3)	0.27
IP internal	20



### Download

[Mounting instructions](#) PDF

[Mounting instructions](#) PDF

### Photometric Files

[LDT / IES](#) LDT

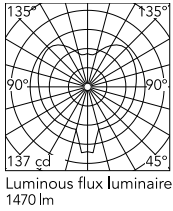
### Technical Drawings

[2D](#) ZIP

[3D](#) ZIP



## Schematic light drawing



### Photometric

Lighting type	Total
Light distribution	Asymmetric
Extreme cut off	No

### Electrical

Insulation class	I
Frequency (Hz)	50/60
Main voltage (Vac)	220-250
Dimmable	Yes
Dimming interface	Remote Dimmable (Dimmer Not Included)
Batteries inside	No

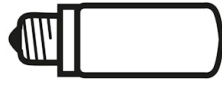
## Bulbs



NOT INCLUDED

RF32288

LED Lamp E27 15W 2700K T38

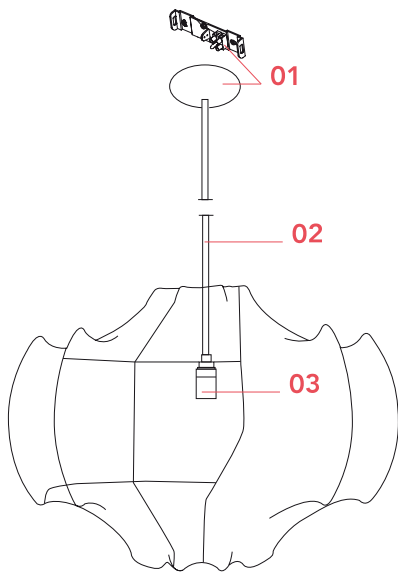


NOT INCLUDED

RF32289

LED Lamp E27 15W 3000K T38

## Spare Parts



- |     |                         |           |
|-----|-------------------------|-----------|
| 01. | White rose assembly     | RA3690209 |
| 02. | Wiring 2x0,75 3,2m      | RF32763   |
| 03. | Electrical assembly set | RF9800200 |



RA3690209

White rose assembly



RF32763

Wiring 2x0,75 3,2m



RF9800200

Electrical assembly set