

FLOS

F6604009 Matte White

Taccia Small

Designed by Achille and Pier Giacomo Castiglioni, 1962

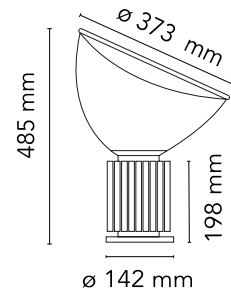
16W - 2700K



Table lamp providing indirect and reflected light. Reflector in painted aluminium, gloss white on the outside and matt white on the inside. Directionable diffuser in transparent blown glass. Body in matt black, white or naturally anodized extruded aluminium. Base in nickel-plated ABS+PC. Electric cable of useful length 190 cm, with dimmer switch for ON/OFF and adjustment of the light flow between 10-100%. Plug-in power supply with interchangeable plugs.

Are you a professional and your project needs consulting and support?

[BOOK AN APPOINTMENT](#)



Main specifications

EAN	8059607058947
Mounting	Table
Environments	Indoor dry location
Light source type	LED
Light sources included	Yes
LED type	LED array
Power (W)	16

Physical

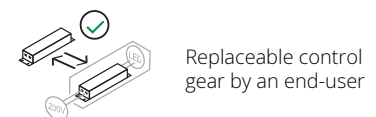
Colour	Matte White
Length (mm)	142
Cord colour	White
Cord length (mm)	1900
Net weight (kg)	4.4
Package volume (m3)	0.11
IP internal	20

Download

- [Mounting instructions](#)  PDF
- [Mounting instructions](#)  PDF

Ecodesign and Energy Labelling

This product contains a light source of energy efficiency class D



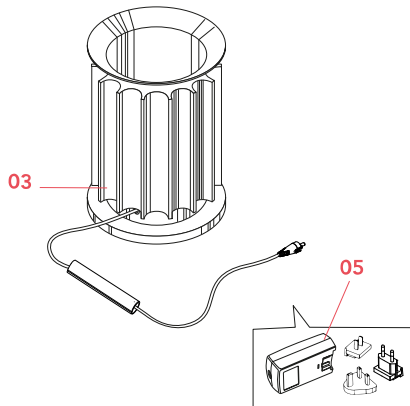
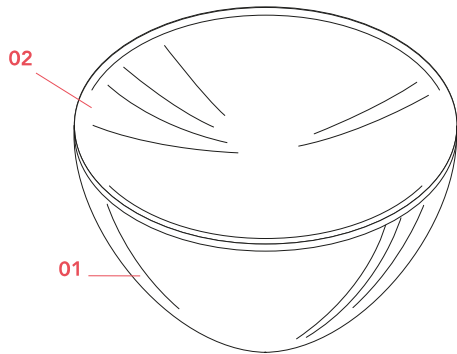
Photometric

Lighting type	Indirect
Light distribution	Asymmetric
CCT (K)	2700
Extreme cut off	No

Electrical

Insulation class	III
Frequency (Hz)	50/60
Main voltage (Vac)	100-240
Power supply	Remote included
Power supply type	Electronic 24V
Plug type	Type A, Type C, Type G
Batteries inside	No

Spare Parts



- | | | |
|-----|--|-----------|
| 01. | Taccia Small transparent diffuser & opal reflector | F6606009 |
| 02. | Taccia Small opal white reflector | RF35398 |
| 03. | Taccia Small Led white base | F6605009 |
| 05. | White plug assembly kit & 24V driver | RF6600209 |



F6606009

Taccia Small transparent diffuser
& opal reflector



RF35398

Taccia Small opal white reflector



F6605009

Taccia Small Led white base



RF6600209

White plug assembly kit & 24V
driver