

# FLOS

F1368009 White



## Smithfield Ceiling Pro dimmable DALI

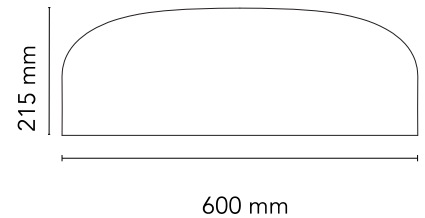
Designed by Jasper Morrison, 2009

45W - 2791lm - 2700K - CRI> 95

Ceiling-mounted lamp providing direct light. Aluminium body. Available in gloss black, white, matt black, green, red or MUD. Injection-moulded opalescent methacrylate diffuser. Steel wall and ceiling attachment. Control DALI dimmable.

Are you a professional and your project needs consulting and support?

[BOOK AN APPOINTMENT](#)



### Main specifications

EAN	8059607015056
Mounting	Ceiling
Environments	Indoor dry location
Light source type	LED
Light sources included	Yes
LED type	LED Module
Power (W)	45
Lumen Output (lm)	2791

### Physical

Colour	White
Length (mm)	600
Net weight (kg)	5.8
Package height (mm)	310
Package width (mm)	710
Package length (mm)	710
Package volume (m3)	0.16
IP internal	20

### Download

[Mounting instructions](#)  PDF

### Photometric Files

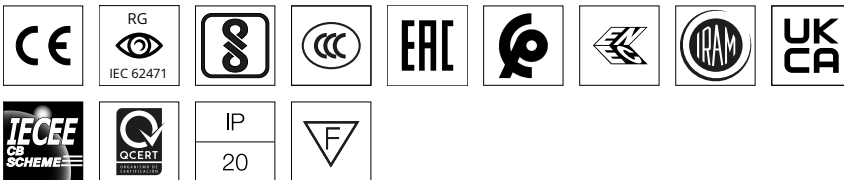
[LDT / IES](#)  LDT

### Technical Drawings

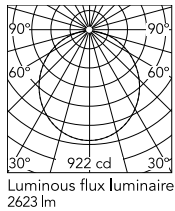
[2D](#)  ZIP

[3D](#)  ZIP

[Bim](#)  ZIP



## Schematic light drawing



## Photometric

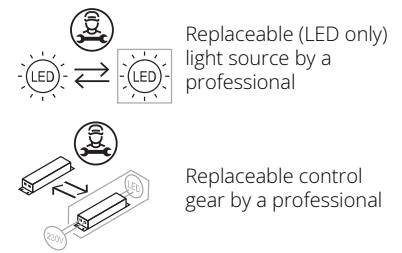
Lighting type	Direct
Light distribution	Roto symmetric
CCT (K)	2700
CRI>	95
Extreme cut off	No

## Electrical

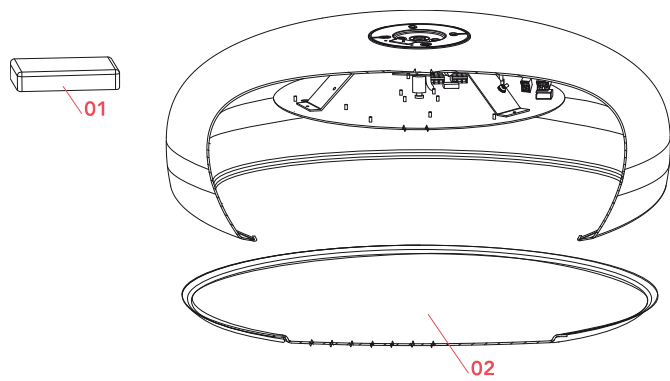
Insulation class	I
Frequency (Hz)	50/60
Main voltage (Vac)	200-240
Power supply	Integrated
Dimmable	Yes
Power supply type	Dimmable DALI 1
Dimming interface	Remote Dimmable (Dimmer Not Included)
Batteries inside	No

## Ecodesign and Energy Labelling

This product contains a light source of energy efficiency class F



## Spare Parts



- 01. Smithfield C/S Power supply 45W 450-1050mA RF31980
- 02. Smithfield Methacrylate diffuser RF19022



RF31980  
Smithfield C/S Power supply 45W  
450-1050mA



RF19022  
Smithfield Methacrylate diffuser