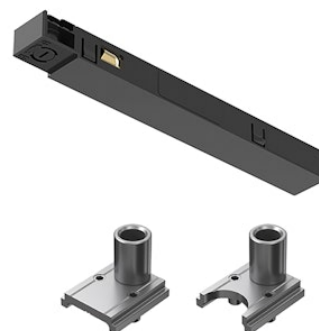


FLOS

08.0626.00 Black

Power connector

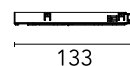
Designed by FLOS Architectural, 2017



Includes two suspension accessories for the profile ends and a 6-pole and 4-meter long electrical cable. Steel cable not included. Central suspension accessories are included in the profile.

Are you a professional and your project needs consulting and support?

[BOOK AN APPOINTMENT](#)



Main specifications

Mounting	Track
Environments	Indoor dry location
Light sources included	no

Physical

Colour	Black
Trim	No
Length (mm)	133
Net weight (kg)	0.48
IP internal	20
IP external	20

Download

[Mounting instructions](#)



Electrical

Emergency No