

FLOS

■ D305W01CEEAB1 Black

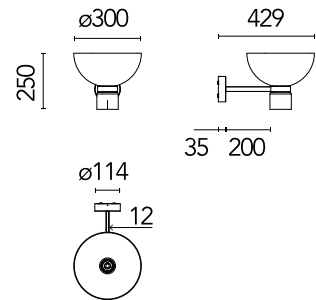
Nocturne W Bowl

Designed by Konstantin Grcic, 2026

12W - 514lm - 2700K - CRI> 90

Modular wall lamp emitting diffused and ambient light. Extruded aluminium base and arm with rectangular wall fixing plate. Extra-clear borosilicate glass diffuser in hemispherical form providing diffuse ceiling wash. Die-cast aluminium Light Engine housed within lamp junctions. Dual LED sources: COB LED and perimetral halo LED. Dimmable phase cut.

Designed by Konstantin Grcic, Nocturne combines the precise logic of industrial aluminium with the timeless beauty of blown glass. In the floor version, the system rises vertically, allowing one or more luminous volumes to structure the space. Conceived as a modular composition, Nocturne opens tailored possibilities for both architectural and domestic environments. Its innovative Light Engine activates the glass from within, pairing high-performance illumination with a soft halo that gives the transparent material a luminous, almost ethereal quality.



Are you a professional and your project needs consulting and support?

[BOOK AN APPOINTMENT](#)

Main specifications

EAN	8059607078464
Mounting	Wall
Environments	Indoor dry location
Light source type	LED
Light sources included	Yes
LED type	LED array, LED Module
Power (W)	12
System power (W)	12
Lumen Output (lm)	514

Physical

Colour	Black
Length (mm)	429
Canopy length/diameter (mm)	114
Canopy height (mm)	35
Net weight (kg)	1.62
Package volume (m3)	0.09
IP internal	20

Download

Mounting instructions [↓ PDF](#)

Photometric Files


LDT / IES [↓ ZIP](#)


Technical Drawings

2D [↓ ZIP](#)

3D [↓ ZIP](#)

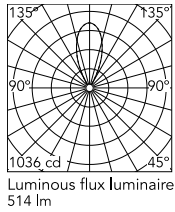
Ecodesign and Energy Labelling

 Replaceable (LED only) light source by a professional

 Replaceable control gear by a professional



Schematic light drawing



Beam Angle: - 43°

h(m)	E(lx)	D(m)
1	1036	0.80
2	259	1.59
3	115	2.39
4	65	3.18
5	41	3.98

Photometric

Lighting type	Direct, Indirect
CCT (K)	2700
CRI>	90

Electrical

Insulation class	I
Frequency (Hz)	50/60
Main voltage (Vac)	220-240
Power supply	Integrated
Dimmable	Yes
Power supply type	Mains Cut Dimming
Dimming interface	Remote Dimmable (Dimmer Not Included)
Batteries inside	No