

FLOS

F1490009 Glass

Mini Button

Designed by Piero Lissoni, 2005



Halogen - 25W

Wall or ceiling fixture providing diffused lighting suitable for indoor and outdoor use. Silicone elastomer dust and waterproof seal. Die-cast aluminum lamp body and wall fitting. Diffuser available in opaline glass or polycarbonate (IP44).

Are you a professional and your project needs consulting and support?

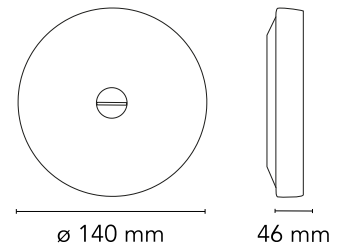
[BOOK AN APPOINTMENT](#)

Main specifications

EAN	8059607015179
Mounting	Ceiling, Wall
Environments	Indoor wet location
Light source type	Bulb
Light sources included	No
Lamp category	Halogen
Lamp holders	G9
Ilcos	HSGS
Number of lamps	1
Power (W)	25

Physical

Colour	Glass
Length (mm)	140
Net weight (kg)	0.65
Package height (mm)	70
Package width (mm)	190
Package length (mm)	205
IP internal	44



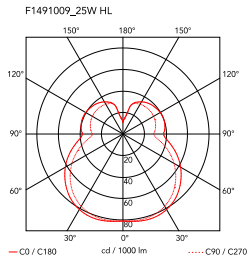
Download

[Mounting instructions](#)

[PDF](#)



Schematic light drawing



Photometric

Lighting type	Total
Light distribution	Roto symmetric
Extreme cut off	No

Electrical

Insulation class	I
Frequency (Hz)	50/60
Main voltage (Vac)	220-250
Dimmable	Yes
Dimming interface	Remote Dimmable (Dimmer Not Included)
Batteries inside	No

Bulbs



NOT INCLUDED

RF26520

LED Lamp 2W 240lm G9 220-240
2700K T13 Non Dimmable

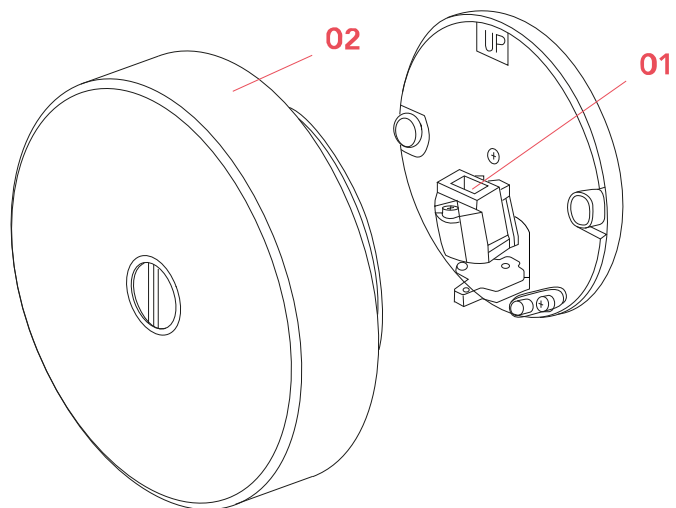


NOT INCLUDED

RF36378

LED BiPin Lamp G9 3,2W 2700K
Dimmable

Spare Parts



- | | | |
|-----|-------------------------------------|-----------|
| 01. | G9 K540D lampholder | RF31587 |
| 02. | Mini Button Glass diffuser assembly | RF1490109 |



RF31587

G9 K540D lampholder



RF1490109

Mini Button Glass diffuser
assembly