

# FLOS

F004E41A033 Anthracite

## Landlord Spot Ø50 PWM Dimmable Anthracite

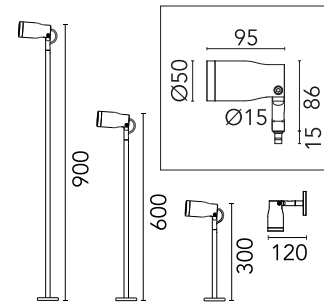
Designed by Piero Lissoni, 2018



Spot adjustable head for installation on ground poles or on wall base. Poles and base to be ordered as separated accessories. Heads are equipped with a dismountable ferrule, to insert flood lens or up to two honeycombs, (to be ordered as separate accessories). 24V remote power supply to be ordered separately. Each head comes with a 2000 mm length outgoing cable and a wiring kit.

Are you a professional and your project needs consulting and support?

[BOOK AN APPOINTMENT](#)



### Main specifications

|                        |                      |
|------------------------|----------------------|
| EAN                    | 8054793201559        |
| Mounting               | Ground               |
| Environments           | Outdoor wet location |
| Light source type      | LED                  |
| Light sources included | Yes                  |
| LED type               | Power LED            |
| Number of lamps        | 1                    |
| Power (W)              | 3                    |
| Lumen Output (lm)      | 145                  |

### Physical

|                         |            |
|-------------------------|------------|
| Colour                  | Anthracite |
| Trim                    | No         |
| Orientation             | Adjustable |
| Rotation (°)            | 359        |
| Transversal tilting (°) | 120        |
| Net weight (kg)         | 0.19       |
| Package height (mm)     | 87         |
| Package width (mm)      | 137        |
| Package length (mm)     | 142        |
| IP internal             | 66         |

### Download

[Mounting instructions](#)  ZIP

### Photometric Files

[LDT / IES](#)  ZIP

### Technical Drawings

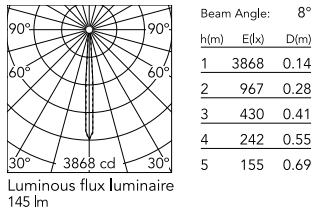
[2D](#)  ZIP

[3D](#)  ZIP

[Bim](#)  ZIP



## Schematic light drawing



## Ecodesign and Energy Labelling

This product contains a light source of energy efficiency class D



## Photometric

|                        |           |
|------------------------|-----------|
| Lighting type          | Direct    |
| Light distribution     | Symmetric |
| CCT (K)                | 4000      |
| CRI>                   | 80        |
| Beam angle C0-180 (°)  | 7         |
| Beam angle C90-270 (°) | 7         |

## Electrical

|                   |  |
|-------------------|--|
| Insulation class  | III  |
| Power supply      | Remote excluded                                    |
| Dimmable          | Yes  |
| Power supply type | Non Dimmable, Dimmable DALI PWM, Dimmable 1-10 PWM |
| Dimming interface | Remote Dimmable (Dimmer Not Included)              |
| Emergency         | No   |

## Notes

During the installation and the maintenance of the fixtures it is important to be careful and avoid damages on the paint coating.

Damages on the coating exposed to outdoor conditions or water, could cause corrosion.

Chemical substances affect the anticorrosion covering protection.

For LED fixtures, there is evidence that most of the damages are connected to electrical effects related to the insulations, which cause destructive electrical discharges

These effects are frequently caused by:

- over voltage coming from the mains' network where fixture is connected.
- electrostatic discharge (ESD) coming from the environment.

The use of a protective device against the overvoltage on the electrical installation is warmly suggest this helps to reduce the intensity of some of these phenomenon and prevent irreversible damages. The selection of the type of device to be used must be adjust on the electrical plant.

## Accessories & Power Supply



REQUIRED  
Power supply

RF25757

Power supply 24V 10W / 110-240V IP67 Class II selv.\_Non Dimmable



REQUIRED  
Power supply

RF25747

Power supply 24V 10W /110-240V IP20 Class II selv. Non Dimmable



REQUIRED

F990B34A000

Power Supply dual function C.V.  
Vout 24Vdc 8W, Vin 220÷240V  
C.C. Iout 350mA: 8W, Vin 220÷240V IP 20 Class II Selv. NON Dimmable



REQUIRED  
Power supply

RF25748

Power Supply dual function C.V.  
Vout 24Vdc 8W, Vin 220÷240V  
C.C. Iout 350mA: 8W, Vin 220÷240V IP 65 Class II Selv. NON Dimmable



REQUIRED  
Power supply

F990B28A000

Power supply 24Vdc 50W / 220-240V IP67 Class I selv. Non Dimmable



REQUIRED  
Accessory

F004Z040033

Wall base Anthracite



REQUIRED  
Power supply

F990B27A000

Power supply 24Vdc 70W / 220-240V IP67 Class I selv. Non Dimmable



REQUIRED  
Accessory

F004Z030033

Pole with base H 900 mm Anthracite



REQUIRED  
Accessory

F004Z020033

Pole with base H 600 mm  
Anthracite



REQUIRED  
Accessory

F004Z010033

Pole with base H 300 mm  
Anthracite



OPTIONAL  
Accessory

F990C00A000

2 way terminal block 4 poles IP68  
H20 stop. (ø5,5÷12mm cable)



OPTIONAL  
Accessory

F990C010000

3/4 way terminal block 4 poles  
IP68 H20 stop. (ø5,5÷12mm  
cable)



OPTIONAL  
Accessory

F004Z0L0000

Honeycomb



OPTIONAL  
Accessory

F004Z0H0000

Flood lens



OPTIONAL  
Accessory

F004Z070000

Tree strap



OPTIONAL  
Accessory

F004Z060000

Earth stick