

# FLOS

F004D41A012 Forest Green

## Landlord Spot Ø40 PWM Dimmable Forest Green

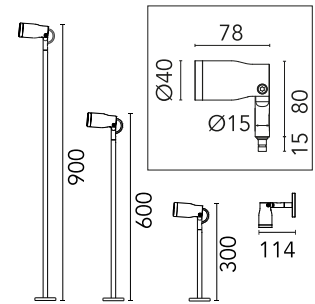
Designed by Piero Lissoni, 2018



Spot adjustable head for installation on ground poles or on wall base. Poles and base to be ordered as separated accessories. Heads are equipped with a dismountable ferrule, to insert flood lens or up to two honeycombs, (to be ordered as separate accessories). 24V remote power supply to be ordered separately. Each head comes with a 2000 mm length outgoing cable and a wiring kit.

Are you a professional and your project needs consulting and support?

[BOOK AN APPOINTMENT](#)



### Main specifications

EAN	8054793198682
Mounting	Ground
Environments	Outdoor wet location
Light source type	LED
Light sources included	Yes
LED type	Power LED
Number of lamps	1
Power (W)	2
Lumen Output (lm)	140

### Physical

Colour	Forest Green
Trim	No
Orientation	Adjustable
Rotation (°)	359
Transversal tilting (°)	120
Net weight (kg)	0.19
Package height (mm)	87
Package width (mm)	137
Package length (mm)	142
IP internal	66

### Download

[Mounting instructions](#) ZIP

### Photometric Files

[LDT / IES](#) ZIP

### Technical Drawings

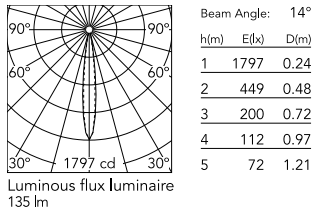
[2D](#) ZIP

[3D](#) ZIP

[Bim](#) ZIP



## Schematic light drawing



## Ecodesign and Energy Labelling

This product contains a light source of energy efficiency class D



## Photometric

Lighting type	Direct
Light distribution	Symmetric
CCT (K)	4000
CRI>	80
Beam angle C0-180 (°)	12
Beam angle C90-270 (°)	12

## Electrical

Insulation class	III
Power supply	Remote excluded
Dimmable	Yes
Power supply type	Non Dimmable, Dimmable DALI PWM, Dimmable 1-10 PWM
Dimming interface	Remote Dimmable (Dimmer Not Included)
Emergency	No

## Notes

During the installation and the maintenance of the fixtures it is important to be careful and avoid damages on the paint coating.

Damages on the coating exposed to outdoor conditions or water, could cause corrosion.

Chemical substances affect the anticorrosion covering protection.

For LED fixtures, there is evidence that most of the damages are connected to electrical effects related to the insulations, which cause destructive electrical discharges

These effects are frequently caused by:

- over voltage coming from the mains' network where fixture is connected.
- electrostatic discharge (ESD) coming from the environment.

The use of a protective device against the overvoltage on the electrical installation is warmly suggest this helps to reduce the intensity of some of these phenomenon and prevent irreversible damages. The selection of the type of device to be used must be adjust on the electrical plant.

## Accessories & Power Supply



REQUIRED  
Power supply

RF25747

Power supply 24V 10W /110-240V  
IP20 Class II selv. Non Dimmable



REQUIRED  
Power supply

RF25757

Power supply 24V 10W / 110-  
240V IP67 Class II selv.\_Non  
Dimmable



REQUIRED

F990B34A000

Power Supply dual function C.V.  
Vout 24Vdc 8W, Vin 220÷240V  
C.C. Iout 350mA: 8W, Vin  
220÷240V IP 20 Class II Selv. NON  
Dimmable



REQUIRED  
Accessory

F004Z040012

Wall base Forest Green



REQUIRED  
Power supply

RF25748

Power Supply dual function C.V.  
Vout 24Vdc 8W, Vin 220÷240V  
C.C. Iout 350mA: 8W, Vin  
220÷240V IP 65 Class II Selv. NON  
Dimmable



REQUIRED  
Power supply

F990B27A000

Power supply 24Vdc 70W / 220-  
240V IP67 Class I selv. Non  
Dimmable



REQUIRED  
Power supply

F990B28A000

Power supply 24Vdc 50W / 220-  
240V IP67 Class I selv. Non  
Dimmable



REQUIRED  
Accessory

F004Z010012

Pole with base H 300 mm Forest  
Green



REQUIRED  
Accessory

F004Z020012

Pole with base H 600 mm Forest Green



REQUIRED  
Accessory

F004Z030012

Pole with base H 900 mm Forest Green



OPTIONAL  
Accessory

F990C00A000

2 way terminal block 4 poles IP68 H20 stop. (ø5,5÷12mm cable)



OPTIONAL  
Accessory

F990C010000

3/4 way terminal block 4 poles IP68 H20 stop. (ø5,5÷12mm cable)



OPTIONAL  
Accessory

F004Z0C0000

Flood lens



OPTIONAL  
Accessory

F004Z0B0000

Honeycomb



OPTIONAL  
Accessory

F004Z070000

Tree strap



OPTIONAL  
Accessory

F004Z060000

Earth stick