

FLOS

F6307000 Transparent

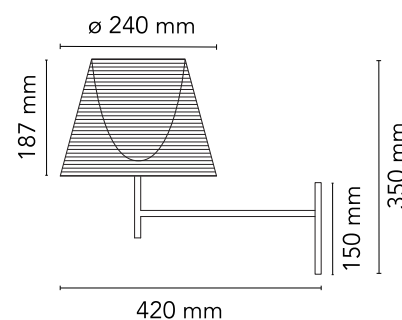
KTribe Wall

Designed by Philippe Starck, 2007



Halogen - 70W

Wall mounted fixture providing diffused lighting; a switch located near the diffuser allows for 4-level light adjustment via a "remote" dimmer. Cover rose in die-cast, polished and chrome-plated Zamak alloy. Arm and diffuser support in polished aluminum tube. Injectionmolded PC (polycarbonate) inner diffuser opal color. Outer diffusers in transparent or fumè PMMA (polymethylmethacrylate) and silver or bronze on the inner surface, by vacuum aluminum coating. Injection-molded PC (polycarbonate) upper ring, completely transparent, or transparent brown for the outer bronze diffuser.



Are you a professional and your project needs consulting and support?

[BOOK AN APPOINTMENT](#)


Main specifications

EAN	8059607006177
Mounting	Wall
Environments	Indoor dry location
Light source type	Bulb
Light sources included	No
Lamp category	Halogen
Lamp holders	E27
Ilcos	HSGS
Number of lamps	1
Power (W)	70

Physical

Colour	Transparent
Length (mm)	240
Net weight (kg)	2.07
Package volume (m3)	0.05
IP internal	20

Download

[Mounting instructions](#)  PDF

Photometric Files

[LDT / IES](#)  LDT

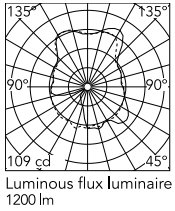
Technical Drawings

[2D](#)  ZIP

[3D](#)  ZIP



Schematic light drawing



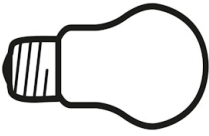
Photometric

Lighting type	Direct, Indirect
Light distribution	Symmetric
Extreme cut off	No

Electrical

Insulation class	I
Frequency (Hz)	50/60
Main voltage (Vac)	220-240
Dimmable	Yes
Dimming interface	Dimmer Integrated
Batteries inside	No

Bulbs



NOT INCLUDED

RF32563

LED Lamp 11.5W E27 220-240V
2700K A70

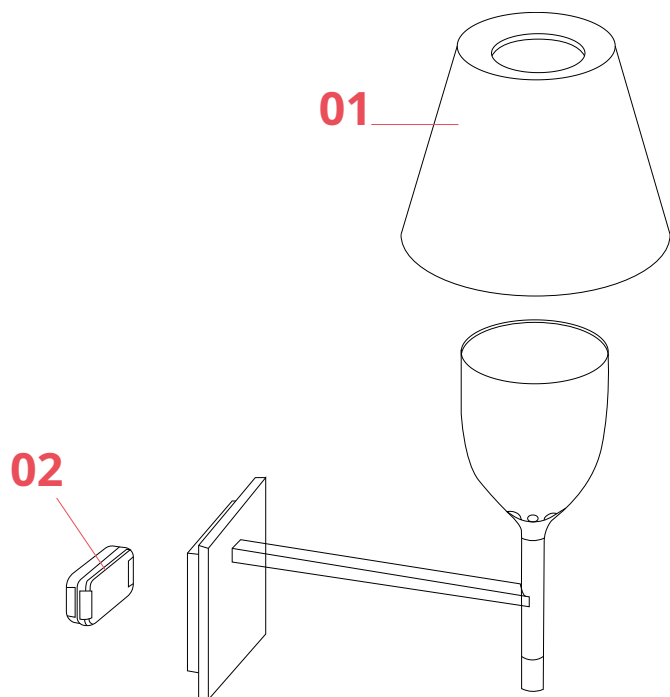


NOT INCLUDED

RF32564

LED Lamp 11.5W E27 220-240V
3000K A70

Spare Parts



- | | | |
|-----|--------------------------------------|-----------|
| 01. | transparent diffuser assembly | RF6255007 |
| 02. | Ktribe Wall Dimmer 220-240V
White | RF28737 |



RF6255007

transparent diffuser assembly



RF28737

Ktribe Wall Dimmer 220-240V
White