

FLOS

F3311009 White

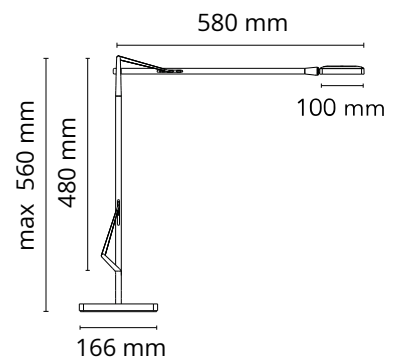
Kelvin Led Base

Designed by Antonio Citterio/assistant Toan Nguyen, 2009

8W - 523lm - 3000K - CRI> 90



Adjustable table lamp providing direct lighting, with double pantograph arm and adjustable head. Fused aluminum alloy body. Die-cast aluminum outer head, with injection-molded methacrylate diffuser. BASE external cover in ABS. Extruded aluminum alloy square tube (12x12mm) structure, machined mechanically, so that it houses a stainless steel load-compensation spring and injection-molded acetal resin sliding blocks. 3 mm diameter wire outer tie rods. Available in white, anthracite, black or chrome finishes. The ON/OFF switch is electronic with optical mechanism located in the head. Two possibilities to choose: - PERSONAL MODE (orange switch) Dimm the light intensity you like. - GREEN MODE (green switch) Now Kelvin LED becomes Green, saving even more energy thanks to his automatic compensation of the ambience light.



Are you a professional and your project needs consulting and support?

[BOOK AN APPOINTMENT](#)

Main specifications

Mounting	Table
Environments	Indoor dry location
Light source type	LED
Light sources included	Yes
LED type	LED Module
Power (W)	8
Lumen Output (lm)	523

Physical

Colour	White
Length (mm)	581
Cord colour	Clear
Cord length (mm)	1800
Net weight (kg)	4
Package volume (m3)	0.02
IP internal	20

Download

- [Mounting instructions](#) PDF
- [Mounting instructions](#) PDF
- [Mounting instructions](#) PDF

Photometric Files

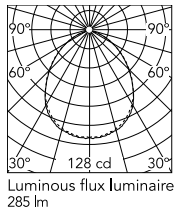
- [LDT / IES](#) LDT

Technical Drawings

- [2D](#) ZIP
- [3D](#) ZIP



Schematic light drawing



Photometric

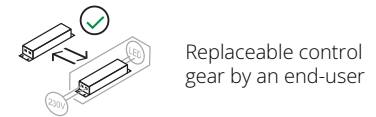
Lighting type	Direct
Light distribution	Symmetric
CCT (K)	3000
CRI>	90
Extreme cut off	No

Electrical

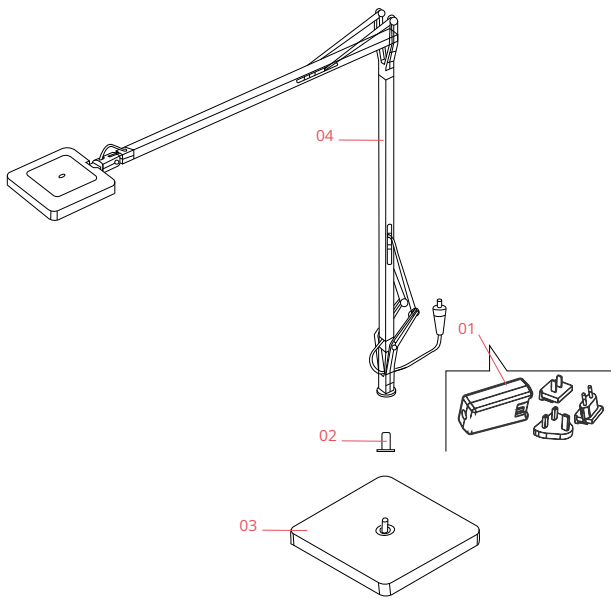
Insulation class	III
Frequency (Hz)	50/60
Main voltage (Vac)	100-240
Power supply	Remote included
Dimmable	Yes
Power supply type	Electronic 24V
Dimming interface	Dimmer Integrated
Plug type	Type A, Type C, Type G
Batteries inside	No

Ecodesign and Energy Labelling

This product contains a light source of energy efficiency class F



Spare Parts



- | | | |
|-----|--------------------------------------|-----------|
| 01. | White plug assembly kit & 24V driver | RF6600209 |
| 02. | Kelvin Led Grey insert for lamp base | RF18763 |
| 03. | Kelvin Led gm white base | F3322009A |
| 04. | Kelvin led gm white body | F3312009 |



RF6600209
White plug assembly kit & 24V driver



RF18763
Kelvin Led Grey insert for lamp base



F3322009A
Kelvin Led gm white base



F3312009
Kelvin led gm white body