

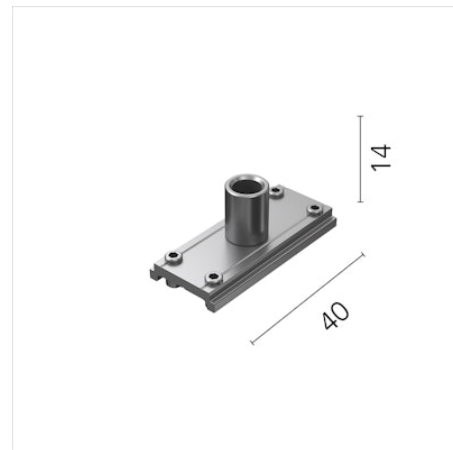
FLOS

08.0627.00 Black

Intermediate suspension kit for joining profiles

Designed by FLOS Architectural, 2017

It includes the electrical connection of the upper part. An intermediate connector is necessary. It must be ordered separately. Steel cable not included.



Are you a professional and your project needs consulting and support?

[BOOK AN APPOINTMENT](#)

Download

[Mounting instructions](#)



Main specifications

Mounting	Track
Environments	Indoor dry location
Light sources included	no

Physical

Colour	Black
Trim	No
Length (mm)	30
Net weight (kg)	0.02
IP internal	20
IP external	20



Electrical

Emergency No