

FLOS

■ F3179030 Black

IC Lights C/W2

Designed by Michael Anastassiades, 2014



Halogen - 205W

Wall-ceiling lamp providing diffused light. Frame in brass, brushed and transparent varnished or chrome steel. Blown glass opal diffuser.

Are you a professional and your project needs consulting and support?

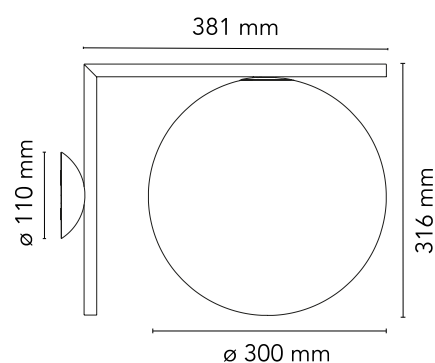
[BOOK AN APPOINTMENT](#)

Main specifications

EAN	8059607003589
Mounting	Ceiling, Wall
Environments	Indoor dry location
Light source type	Bulb
Light sources included	No
Lamp category	Halogen
Lamp holders	E27
Ilcos	HSGS
Number of lamps	1
Power (W)	205

Physical

Colour	Black
Length (mm)	281
Net weight (kg)	2.5
Package volume (m3)	0.08
IP internal	20



Download

[Mounting instructions](#) PDF

Photometric Files

[LDT / IES](#) LDT

Technical Drawings

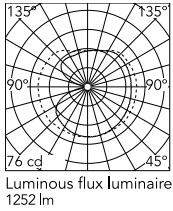
[2D](#) ZIP

[3D](#) ZIP

[Bim](#) ZIP



Schematic light drawing



Photometric

Lighting type	Total
Light distribution	Asymmetric
Extreme cut off	No

Electrical

Insulation class	I
Frequency (Hz)	50/60
Main voltage (Vac)	220-250
Dimmable	Yes
Dimming interface	Remote Dimmable (Dimmer Not Included)
Batteries inside	No

Bulbs



NOT INCLUDED

RF26258

LED Lamp 18W E27 3000K T38
Dimmable



NOT INCLUDED

RF26259

LED Lamp 18W E27 2700K
Dimmable



NOT INCLUDED

RF32289

LED Lamp E27 15W 3000K T38

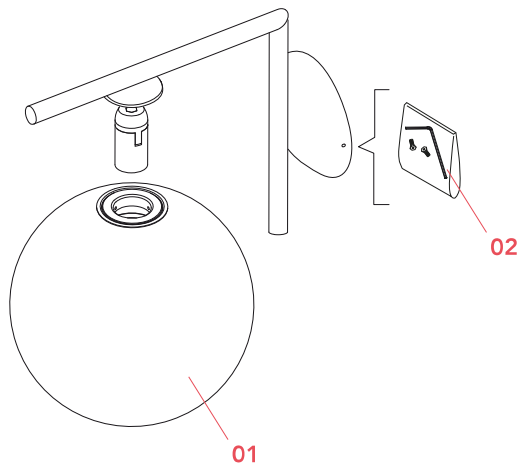


NOT INCLUDED

RF32288

LED Lamp E27 15W 2700K T38

Spare Parts



01. IC Lights 2 diffuser for black version

F3137030



F3137030

IC Lights 2 diffuser for black
version