

FLOS

■ F3157030 Black

IC Lights C/W1 Double

Designed by Michael Anastassiades, 2020

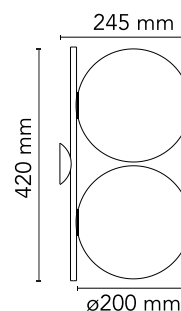


Halogen - 2 x 60W - CRI> 95

Wall-ceiling lamp providing diffused light. Frame in brass, brushed and transparent varnished or chrome steel. Blown glass opal diffuser.

Are you a professional and your project needs consulting and support?

[BOOK AN APPOINTMENT](#)



Main specifications

EAN	8059607000038
Mounting	Ceiling, Wall
Environments	Indoor dry location
Light source type	Bulb
Light sources included	No
Lamp category	Halogen
Lamp holders	E14
Ilcos	HSGS
Number of lamps	2
Power (W)	60

Physical

Colour	Black
Length (mm)	245
Net weight (kg)	2.75
Package volume (m3)	0.06
IP internal	20

Download

[Mounting instructions](#)  PDF

Photometric Files

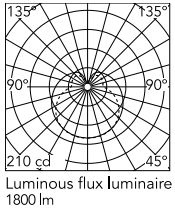
[LDT / IES](#)  LDT

Technical Drawings

[Bim](#)  ZIP



Schematic light drawing



Photometric

Lighting type	Total
Light distribution	Symmetric
CRI>	95
Extreme cut off	No

Electrical

Insulation class	I
Frequency (Hz)	50/60
Main voltage (Vac)	220-250
Dimmable	Yes
Dimming interface	Remote Dimmable (Dimmer Not Included)
Batteries inside	No

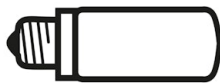
Bulbs



NOT INCLUDED

RF37192

LED Lamp 7,5W E14 220-240V
2700K T28



NOT INCLUDED

RF37193

LED Lamp 7,5W E14 220-240V
3000K T28



NOT INCLUDED

RF32290

LED Lamp E14 8W 2700K T28

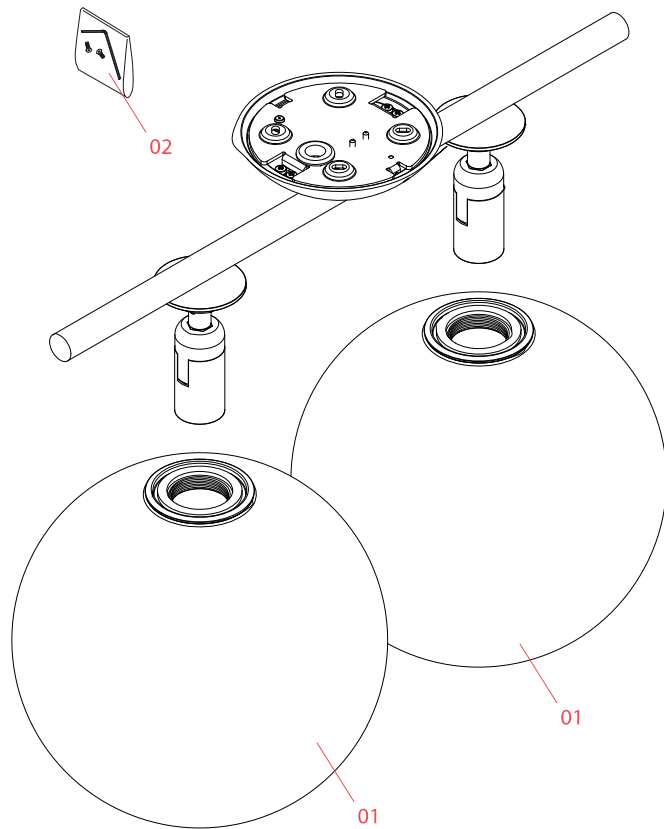


NOT INCLUDED

RF32291

LED Lamp E14 8W 3000K T28

Spare Parts



01. IC Lights 1 diffuser for black version

F3136030



F3136030

IC Lights 1 diffuser for black
version