

FLOS

F012J00C037 Burgundy Red

IC C/W2 Outdoor

Designed by Michael Anastassiades, 2019



Light source excluded. Optional LED bulb sold separately. Wall mounting system contains the wiring system. Watertight cable gland included.

Are you a professional and your project needs consulting and support?

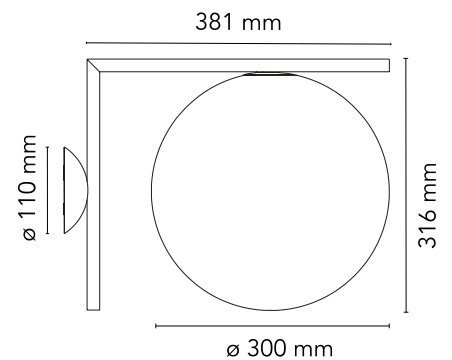
[BOOK AN APPOINTMENT](#)

Main specifications

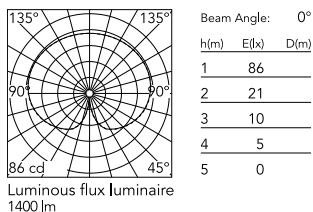
EAN	8054793222271
Mounting	Ceiling, Wall
Environments	Outdoor wet location
Light source type	Bulb
Light sources included	No
Number of lamps	1

Physical

Colour	Burgundy Red
Trim	No
Orientation	Fixed
Net weight (kg)	7.59
IP internal	65



Schematic light drawing



Download

[Mounting instructions](#) ZIP

Photometric Files

[LDT / IES](#) ZIP

Technical Drawings

[2D](#) ZIP

[3D](#) ZIP

[Bim](#) ZIP

Ecodesign and Energy Labelling

Replaceable (LED only) light source by an end-user

Photometric

Lighting type	Direct
Light distribution	Symmetric
Extreme cut off	No

Electrical

Insulation class	I
Frequency (Hz)	50/60
Main voltage (Vac)	220-240
Emergency	No

Notes

Bulb not included. LED: max 15W - E27

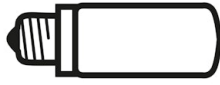
Bulbs



NOT INCLUDED

RF32288

LED Lamp E27 15W 2700K T38



NOT INCLUDED

RF32289

LED Lamp E27 15W 3000K T38