

FLOS

FA53913233 Anthracite

Dooku 400 Single Top Pole Ø76 mm Asymmetric Optic

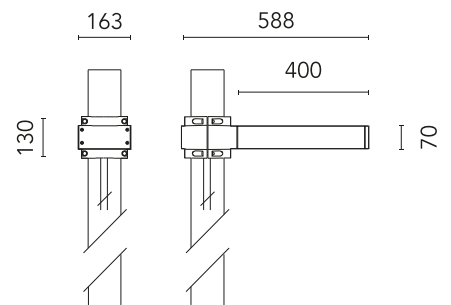
Designed by FLOS Outdoor, 2014



LED source included. Integrated power supply 220-240V ON/OFF and dimmable 1-10V or DALI. Fixing bracket included. Equipped with a 400mm protruding neoprene cable section and IP68 connectors. Single socket for 76mm diameter post. The post must be ordered separately. Smart-City version available upon request.

Are you a professional and your project needs consulting and support?

BOOK AN APPOINTMENT



Main specifications

| | |
|------------------------|----------------------|
| EAN | 8054793683508 |
| Mounting | Pole Top |
| Environments | Outdoor wet location |
| Light source type | LED |
| Light sources included | Yes |
| LED type | Power LED |
| Number of lamps | 1 |
| Power (W) | 34 |
| System power (W) | 39 |
| Source flux (lm) | 4122 |
| Lumen Output (lm) | 3173 |

Physical

| | |
|---------------------|------------|
| Colour | Anthracite |
| Orientation | Fixed |
| Net weight (kg) | 5.28 |
| Package height (mm) | 605 |
| Package width (mm) | 175 |
| Package length (mm) | 150 |
| Package volume (m3) | 0.02 |
| IP internal | 65 |

Download

Mounting instructions [↓ ZIP](#)

Photometric Files

LDT / IES [↓ ZIP](#)

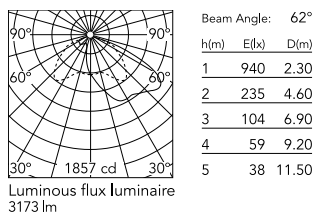
Technical Drawings

2D [↓ ZIP](#)

3D [↓ ZIP](#)



Schematic light drawing



Photometric

| | |
|--------------------|------------|
| Light distribution | Asymmetric |
| CCT (K) | 2700 |
| CRI> | 80 |
| Extreme cut off | No |

Electrical

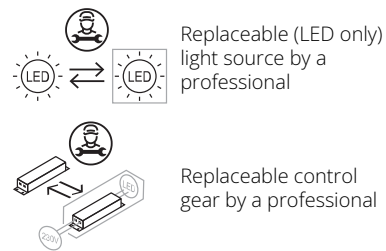
| | |
|--------------------|--------------|
| Insulation class | I |
| Frequency (Hz) | 50/60 |
| Main voltage (Vac) | 220-240 |
| Power supply | Integrated |
| Dimmable | No |
| Power supply type | Non Dimmable |
| Dimming interface | Not Dimmable |
| Emergency | No |

Notes

Please check with your referent person in our Front Office if a code modification is needed to meet the required certification compliance

Ecodesign and Energy Labelling

This product contains a light source of energy efficiency class E



Accessories & Power Supply



REQUIRED
Pole

FA24833

Pole Ø76 mm h 3500 mm(with
Base)



REQUIRED
Pole

FA25033

Pole Ø76 mm h 3500 mm (+500
mm In-ground)



REQUIRED
Pole

FA24933

Pole Ø76 mm h 4500 mm(with
Base)



REQUIRED
Pole

FA25133

Pole Ø76 mm h 4500 mm (+500
mm In-ground)



OPTIONAL
Accessory

F990E00A000

S.P.D. (SURGE PROTECTION
DEVICE)



OPTIONAL
Accessory

FA116

Base Plate and Fixing Bolts for
Pole Ø 102 mm h 4000/5000 mm
with Base