

# FLOS

F1854044 Anodized Champagne

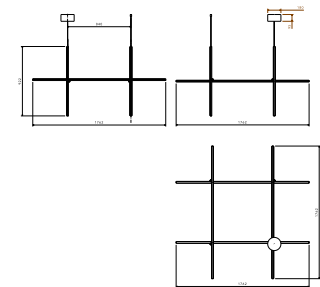
## Coordinates Suspension 4

Designed by Michael Anastassiades, 2020



161W - 8830lm - 2700K - CRI> 95

Coordinates is a lighting system with diffuse light composed of horizontal and vertical luminaires arranged in a bright grid of various shapes and complexities. Each element is made of extruded anodized aluminium with a champagne or argent finish and a diffuser in platinum optical silicone with an integrated LED strip (CRI 95). Each element is powered and supported by an invisible electrical and mechanical connection designed specifically to allow for the composition of the 4 hanging models (S3, S4) with 2.4-m cables. Each Coordinates configuration includes its own ceiling rose, whose integrated electronics allow for the use of different dimmer systems: push, 1-10, DALI. In the absence of these systems, the amount of light can be set during installation with the push system included in the rose.



Are you a professional and your project needs consulting and support?

[BOOK AN APPOINTMENT](#)


### Main specifications

EAN	8059607001677
Mounting	Suspension
Environments	Indoor dry location
Light source type	LED
Light sources included	Yes
LED type	LED Module
Power (W)	161
Lumen Output (lm)	8830

### Physical

Colour	Anodized Champagne
Length (mm)	1762
Cord colour	Clear
Cord length (mm)	2400
Canopy colour	Anodized Champagne
Canopy length/diameter (mm)	181
Canopy height (mm)	95
Net weight (kg)	7.85
Package volume (m3)	0.06
IP internal	20

### Download


[Mounting instructions](#)  PDF

### Photometric Files

[ULD](#)  ZIP

### Technical Drawings

[3D](#)  ZIP

[Bim](#)  ZIP



## Photometric

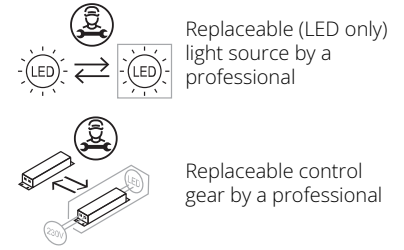
Lighting type	Total
Light distribution	Asymmetric
CCT (K)	2700
CRI>	95
Extreme cut off	No

## Electrical

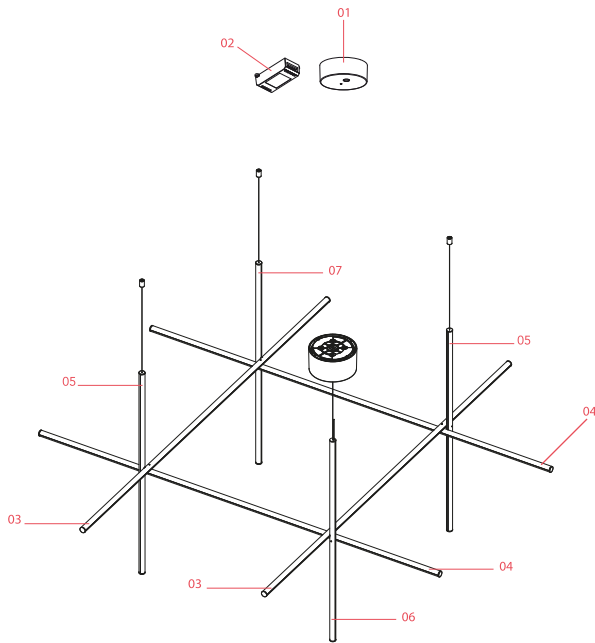
Insulation class	I
Frequency (Hz)	50/60
Main voltage (Vac)	100-240
Power supply	Integrated
Dimmable	Yes
Power supply type	Dimmable 0-10V, Dimmable 1-10V, Dimmable DALI 1, Dimmable Push
Dimming interface	Remote Dimmable (Dimmer Not Included)
Batteries inside	No

## Ecodesign and Energy Labelling

This product contains a light source of energy efficiency class F



## Spare Parts



- |     |  |           |
|-----|--|-----------|
| 00. | Push button and cables assembly for dimmer                         | RF27318   |
| 01. | Coordinates S Assembly Big Rose Anodized Champagne                 | RF1873144 |
| 02. | Led dimmer kit   | RF34197   |
| 03. | Coordinates Rod Assembly L1760 H-11 Anodized Champagne             | RF30985   |
| 04. | Coordinates Rod Assembly L1760 H-10 Anodized Champagne             | RF30984   |
| 05. | Coordinates Suspension 4 Rod Assembly L920 S-14 Anodized Champagne | RF30983   |
| 06. | Coordinates Suspension 4 Rod Assembly L920 S-13 Champagne          | RF30982   |
| 07. | Coordinates Suspension 4 Rod Assembly L920 SA-12 Champagne         | RF31454   |



RF27318  
Push button and cables assembly  
for dimmer



RF1873144  
Coordinates S Assembly Big Rose  
Anodized Champagne



RF34197  
Led dimmer kit



RF30985  
Coordinates Rod Assembly L1760  
H-11 Anodized Champagne



RF30984  
Coordinates Rod Assembly L1760  
H-10 Anodized Champagne



RF30983  
Coordinates Suspension 4 Rod  
Assembly L920 S-14 Anodized  
Champagne



RF30982  
Coordinates Suspension 4 Rod  
Assembly L920 S-13 Champagne



RF31454  
Coordinates Suspension 4 Rod  
Assembly L920 SA-12 Champagne