

FLOS

F1850033 Argent

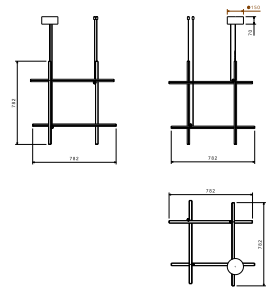
Coordinates Suspension 3

Designed by Michael Anastassiades, 2020



71W - 3850lm - 2700K - CRI> 95

Coordinates is a lighting system with diffuse light composed of horizontal and vertical luminaires arranged in a bright grid of various shapes and complexities. Each element is made of extruded anodized aluminium with a champagne or argent finish and a diffuser in platinum optical silicone with an integrated LED strip (CRI 95). Each element is powered and supported by an invisible electrical and mechanical connection designed specifically to allow for the composition of the 4 hanging models (S3, S4) with 2.4-m cables. Each Coordinates configuration includes its own ceiling rose, whose integrated electronics allow for the use of different dimmer systems: push, 1-10, DALI. In the absence of these systems, the amount of light can be set during installation with the push system included in the rose.



Are you a professional and your project needs consulting and support?

[BOOK AN APPOINTMENT](#)


Main specifications

EAN	8059607038369
Mounting	Suspension
Environments	Indoor dry location
Light source type	LED
Light sources included	Yes
LED type	LED Module
Power (W)	71
Lumen Output (lm)	3850

Physical

Colour	Argent
Length (mm)	780
Cord colour	Clear
Cord length (mm)	2400
Canopy colour	Argent
Canopy length/diameter (mm)	149
Canopy height (mm)	71
Net weight (kg)	3.85
Package volume (m3)	0.04
IP internal	20

Download

[Mounting instructions](#)  PDF

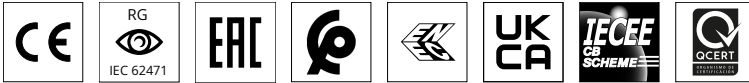
Photometric Files

[ULD](#)  ZIP

Technical Drawings

[3D](#)  ZIP

[Bim](#)  ZIP



Photometric

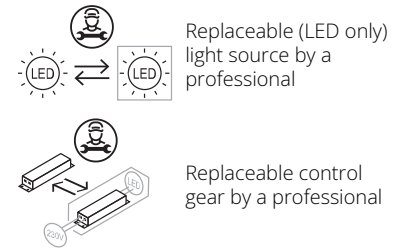
Lighting type	Total
Light distribution	Asymmetric
CCT (K)	2700
CRI>	95
Extreme cut off	No

Electrical

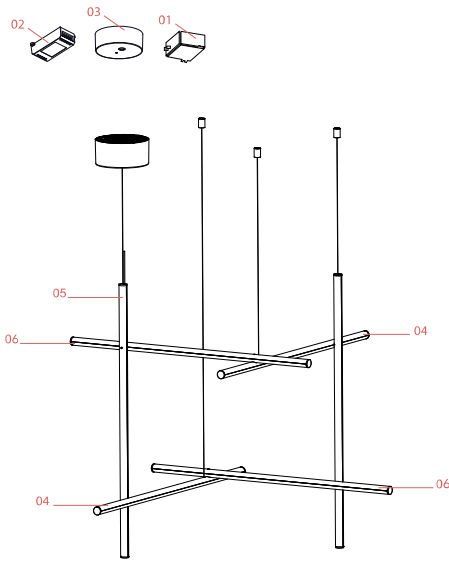
Insulation class	I
Frequency (Hz)	50/60
Main voltage (Vac)	100-240
Power supply	Integrated
Dimmable	Yes
Power supply type	Dimmable 0-10V, Dimmable 1-10V, Dimmable DALI 1, Dimmable Push
Dimming interface	Remote Dimmable (Dimmer Not Included)
Batteries inside	No

Ecodesign and Energy Labelling

This product contains a light source of energy efficiency class F



Spare Parts



- | | | |
|-----|--|-----------|
| 00. | Push button and cables assembly for dimmer | RF27318 |
| 01. | Power supply kit for Arrangements small & Noctambule | RF0410500 |
| 02. | Led dimmer kit | RF34197 |
| 03. | Assembly Rose for Coordinates Suspension Argent | RF1872133 |
| 04. | Coordinates Suspension S3 Rod Assembly L780 SH-03 Argent | RF30911 |
| 05. | Coordinates Suspension S3 Rod Assembly L780 SA-01 Argent | RF30909 |
| 06. | Coordinates Suspension S3 Rod Assembly L780 H-02 Argent | RF30910 |
| 07. | Coordinates Suspension S3 Rod Assembly L780 S-04 Argent | RF30912 |



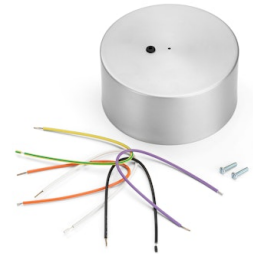
RF27318
Push button and cables assembly for dimmer



RF0410500
Power supply kit for Arrangements small & Noctambule



RF34197
Led dimmer kit



RF1872133
Assembly Rose for Coordinates Suspension Argent



RF30911
Coordinates Suspension S3 Rod Assembly L780 SH-03 Argent



RF30909
Coordinates Suspension S3 Rod Assembly L780 SA-01 Argent



RF30910
Coordinates Suspension S3 Rod Assembly L780 H-02 Argent



RF30912
Coordinates Suspension S3 Rod Assembly L780 S-04 Argent