

FLOS

F1846044 Anodized Champagne

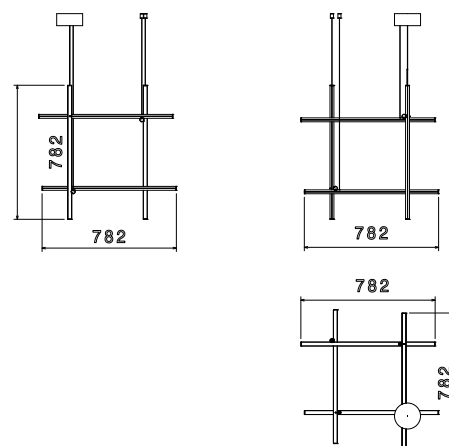
Coordinates Suspension 3 CLIII

Designed by Michael Anastassiades, 2020



64W - 3850lm - 2700K - CRI> 95

Coordinates is a lighting system with diffuse light composed of horizontal and vertical luminaires arranged in a bright grid of various shapes and complexities. Each element is made of extruded anodized aluminium with a champagne finish and a diffuser in platinum optical silicone with an integrated LED strip (CRI 95). Each element is powered and supported by an invisible electrical and mechanical connection designed specifically to allow for the composition of the 4 hanging models (S1, S2, S3, S4) with 2.4-m cables. The 'S Module' is also available. Its geometry was designed to be repeated to create large grids for custom installations. Each Coordinates configuration includes its own ceiling rose, whose integrated electronics allow for the use of different dimmer systems: push, 1-10, DALI. In the absence of these systems, the amount of light can be set during installation with the push system included in the rose. The related CI III version is also available for each configuration for installations with a remote power supply.



Are you a professional and your project needs consulting and support?

[BOOK AN APPOINTMENT](#)

Main specifications

EAN	8059607032602
Mounting	Suspension
Environments	Indoor dry location
Light source type	LED
Light sources included	Yes
LED type	LED Module
Power (W)	64
Lumen Output (lm)	3850

Physical

Colour	Anodized Champagne
Length (mm)	1770
Cord colour	Clear
Cord length (mm)	2400
Canopy colour	Anodized Champagne
Canopy length/diameter (mm)	61
Canopy height (mm)	29
Net weight (kg)	2.3
Package volume (m3)	0.03
IP internal	20

Download

[Mounting instructions](#)  PDF

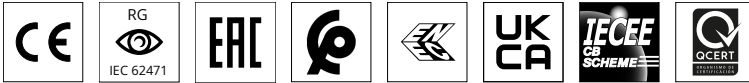
Photometric Files

[ULD](#)  ZIP

Technical Drawings

[3D](#)  ZIP

[Bim](#)  ZIP



Photometric

Lighting type	Total
Light distribution	Asymmetric
CCT (K)	2700
CRI>	95
Extreme cut off	No

Electrical

Insulation class	III
Main voltage (Vac)	48
Power supply	Remote excluded
Power supply type	Electronic 48V
Batteries inside	No

Ecodesign and Energy Labelling

This product contains a light source of energy efficiency class F



Accessories & Power Supply



OPTIONAL

RF29209

48Vdc 180W Power supply

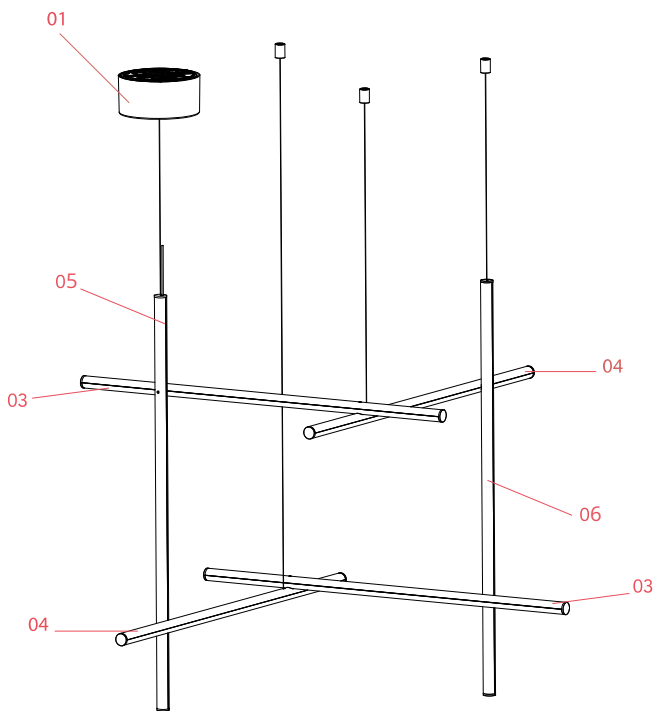


OPTIONAL

RF26994

12-48V Led Dimmer

Spare Parts



- | | | |
|-----|---|-----------|
| 01. | Assembly Rose Cover for
Coordinates S CLIII Anodized
Champagne | RF1874144 |
| 03. | Coordinates Suspension 3 Rod
Assembly L780 H-02 Anodized
Champagne | RF31449 |
| 04. | Coordinates Suspension 3 Rod
Assembly L780 SH-03 Anodized
Champagne | RF31372 |
| 05. | Coordinates Suspension 3 Rod
Assembly L780 SA-39 Anodized
Champagne | RF31452 |
| 06. | Coordinates Suspension 3 Rod
Assembly L780 S-04 Anodized
Champagne | RF31450 |



RF1874144
Assembly Rose Cover for
Coordinates S CLIII Anodized
Champagne



RF31449
Coordinates Suspension 3 Rod
Assembly L780 H-02 Anodized
Champagne



RF31372
Coordinates Suspension 3 Rod
Assembly L780 SH-03 Anodized
Champagne



RF31452
Coordinates Suspension 3 Rod
Assembly L780 SA-39 Anodized
Champagne



RF31450
Coordinates Suspension 3 Rod
Assembly L780 S-04 Anodized
Champagne