

FLOS

F1880033 Argent

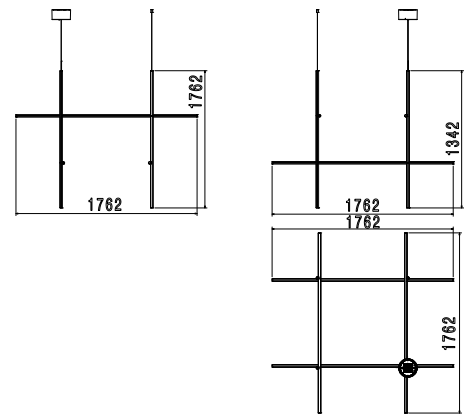
Coordinates Module Suspension

Designed by Michael Anastassiades, 2020

180W - 10230lm - 2700K - CRI> 90



Coordinates is a lighting system with diffuse light composed of horizontal and vertical luminaires arranged in a bright grid of various shapes and complexities. Each element is made of extruded anodized aluminium with a champagne finish and a diffuser in platinum optical silicone with an integrated LED strip (CRI 95). Each element is powered and supported by an invisible electrical and mechanical connection designed specifically to allow for the composition of the 4 hanging models (S1, S2, S3, S4) with 2.5-m cables. The 'S Module' is also available. Its geometry was designed to be repeated to create large grids for custom installations. Each Coordinates configuration includes its own ceiling rose, whose integrated electronics allow for the use of different dimmer systems: push, 1-10, DALI. In the absence of these systems, the amount of light can be set during installation with the push system included in the rose. The related CI III version is also available for each configuration for installations with a remote power supply.



Are you a professional and your project needs consulting and support?

[BOOK AN APPOINTMENT](#)

Main specifications

EAN	8059607032862
Mounting	Suspension
Environments	Indoor dry location
Light source type	LED
Light sources included	Yes
LED type	LED Module
Power (W)	180
Lumen Output (lm)	10230

Physical

Colour	Argent
Length (mm)	1770
Cord colour	Clear
Cord length (mm)	2400
Canopy colour	Argent
Canopy length/diameter (mm)	181
Canopy height (mm)	95
Net weight (kg)	8.65
Package volume (m3)	0.06
IP internal	20

Download

[Mounting instructions](#) [PDF](#)

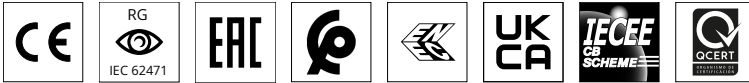
Photometric Files

[ULD](#) [ZIP](#)

Technical Drawings

[3D](#) [ZIP](#)

[Bim](#) [ZIP](#)



Photometric

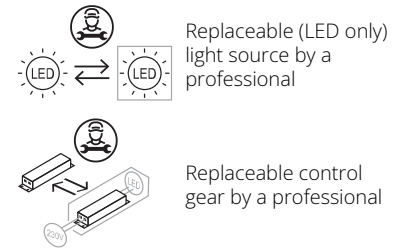
Lighting type	Total
Light distribution	Asymmetric
CCT (K)	2700
CRI>	90
Extreme cut off	No

Electrical

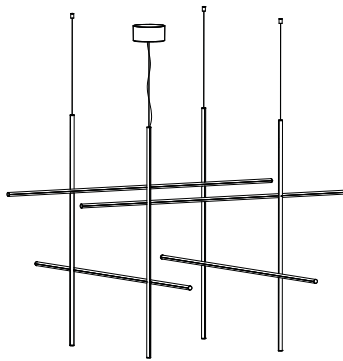
Insulation class	I
Frequency (Hz)	50/60
Main voltage (Vac)	100-240
Power supply	Integrated
Dimmable	Yes
Power supply type	Dimmable 0-10V, Dimmable 1-10V, Dimmable DALI 1, Dimmable Push
Dimming interface	Remote Dimmable (Dimmer Not Included)
Batteries inside	No

Ecodesign and Energy Labelling

This product contains a light source of energy efficiency class F



Spare Parts



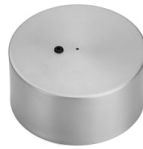
- 00. Push button and cables assembly for dimmer RF27318
- 01. Led dimmer kit RF34197
- 02. Coordinates S Assembly Big Rose Argent RF1873133



RF27318
Push button and cables assembly
for dimmer



RF34197
Led dimmer kit



RF1873133
Coordinates S Assembly Big Rose
Argent