

FLOS

F1856033 Argent

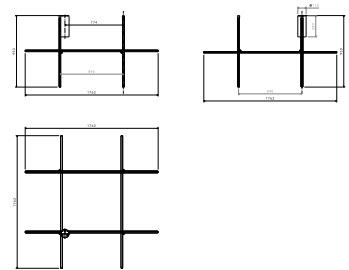
Coordinates Ceiling 4

Designed by Michael Anastassiades, 2020



157W - 8830lm - 2700K - CRI> 95

Coordinates is a lighting system with diffuse light composed of horizontal and vertical luminaires arranged in a bright grid of various shapes and complexities. Each element is made of extruded anodized aluminium with a champagne finish and a diffuser in platinum optical silicone with an integrated LED strip (CRI 95). Each element is powered and supported by an invisible electrical and mechanical connection designed specifically to allow for the composition of the 1 ceiling models C4, its geometry was designed to be repeated to create large grids for custom installations. Each Coordinates configuration must include its own ceiling rose, whose integrated electronics allow for the use of different dimmer systems: push, 1-10, DALI. In the absence of these systems, the amount of light can be set during installation with the push system included in the rose. The related CI III version is also available for each configuration for installations with a remote power supply.



Are you a professional and your project needs consulting and support?

[BOOK AN APPOINTMENT](#)

Main specifications

EAN	8059607038277
Mounting	Ceiling
Environments	Indoor dry location
Light source type	LED
Light sources included	Yes
LED type	LED Module
Power (W)	157
Lumen Output (lm)	8830

Physical

Colour	Argent
Length (mm)	1770
Net weight (kg)	8.25
Package volume (m3)	0.07
IP internal	20

Download

Mounting instructions [↓ PDF](#)

Photometric Files

ULD [↓ ZIP](#)

Technical Drawings

3D [↓ ZIP](#)

[Bim](#) [↓ ZIP](#)



Photometric

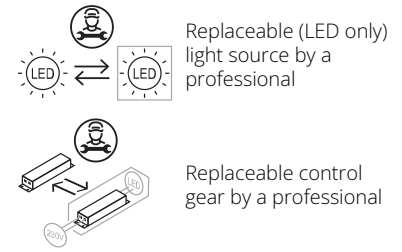
Lighting type	Total
Light distribution	Asymmetric
CCT (K)	2700
CRI>	95
Extreme cut off	No

Electrical

Insulation class	I
Frequency (Hz)	50/60
Main voltage (Vac)	100-240
Power supply	Integrated
Dimmable	Yes
Power supply type	Dimmable 0-10V, Dimmable 1-10V, Dimmable DALI 1, Dimmable Push
Dimming interface	Remote Dimmable (Dimmer Not Included)
Batteries inside	No

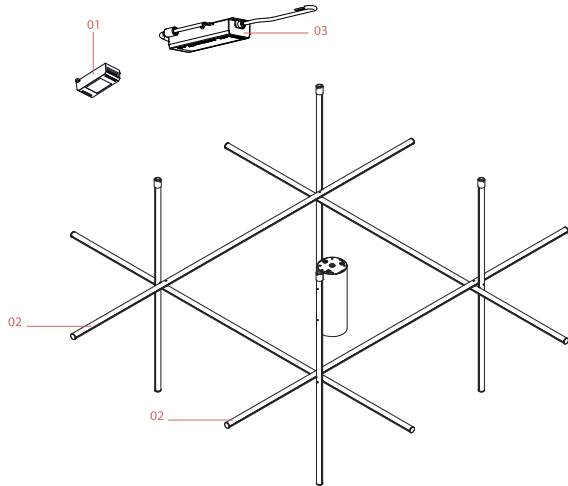
Ecodesign and Energy Labelling

This product contains a light source of energy efficiency class F



Spare Parts

- | | | |
|-----|---|---------|
| 01. | Led dimmer kit | RF34197 |
| 02. | Coordinates Rod Assembly L1760
H-10 Argent | RF30918 |
| 03. | 48Vdc 180W Power supply | RF29209 |





RF34197

Led dimmer kit



RF30918

Coordinates Rod Assembly L1760
H-10 Argent



RF29209

48Vdc 180W Power supply