


FLOS

 F1060075 Brick Red

Bellhop Unplugged Ed. 2018

Designed by Edward Barber and Jay Osgerby, 2018

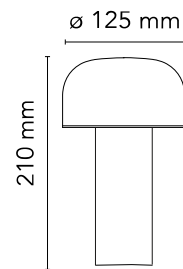


3W - 151lm - 2700K

Rechargeable direct light table lighting device. Base and dome in coloured PC. Diffuser in Opaline injection moulded photo-engraved PC. 24-hours' autonomy, charging via Micro-USB-C. Push-button switch positioned on the base provides the 4-step dimmer function. Battery status indicator positioned under the base. USB-C charging cable included, useful length 120cm.

Are you a professional and your project needs consulting and support?

[BOOK AN APPOINTMENT](#)



Main specifications

| | |
|------------------------|---------------------|
| EAN | 8059607001325 |
| Mounting | Portable |
| Environments | Indoor dry location |
| Light source type | LED |
| Light sources included | Yes |
| LED type | LED Module |
| Power (W) | 3 |
| Lumen Output (lm) | 151 |

Physical

| | |
|---------------------|-----------|
| Colour | Brick Red |
| Length (mm) | 125 |
| Net weight (kg) | 0.75 |
| Package height (mm) | 200 |
| Package width (mm) | 200 |
| Package length (mm) | 330 |
| Package volume (m3) | 0.01 |
| IP internal | 20 |

Download

[Mounting instructions](#)  PDF

[Dimmers or chargers compatible](#)  PDF

Photometric Files

[LDT / IES](#)  LDT

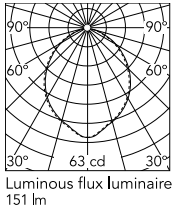
Technical Drawings

[2D](#)  ZIP

[3D](#)  ZIP



Schematic light drawing



Photometric

| | |
|--------------------|----------------|
| Lighting type | Direct |
| Light distribution | Roto symmetric |
| CCT (K) | 2700 |
| Extreme cut off | No |

Electrical

| | |
|---------------------------|-------------------|
| Insulation class | III |
| Frequency (Hz) | 50/60 |
| Main voltage (Vac) | 100-240 |
| Power supply | Remote excluded |
| Dimmable | Yes |
| Power supply type | Electronic 5V |
| Dimming interface | Dimmer Integrated |
| Batteries inside | Yes |
| Battery type | LI-PO |
| Charging max power | 14 |
| Charging min time | 3H - 0% TO 100% |
| Charging socket/connector | USB-C |

Ecodesign and Energy Labelling

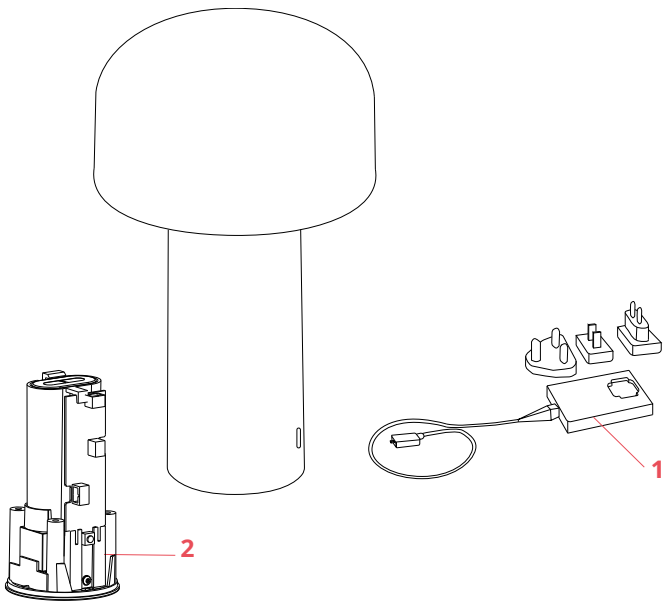
This product contains a light source of energy efficiency class C



Spare Parts

02. Bellhop T Base assembly new
type

RF36376





RF36376

Bellhop T Base assembly new
type