

# FLOS

F1060020 Grey

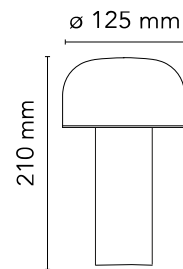
## Bellhop Unplugged Ed. 2018

Designed by Edward Barber and Jay Osgerby, 2018



3W - 151lm - 2700K

Rechargeable direct light table lighting device. Base and dome in coloured PC. Diffuser in Opaline injection moulded photo-engraved PC. 24-hours' autonomy, charging via Micro-USB-C. Push-button switch positioned on the base provides the 4-step dimmer function. Battery status indicator positioned under the base. USB-C charging cable included, useful length 120cm.



Are you a professional and your project needs consulting and support?

[BOOK AN APPOINTMENT](#)

### Main specifications

EAN	8059607001301
Mounting	Portable
Environments	Indoor dry location
Light source type	LED
Light sources included	Yes
LED type	LED Module
Power (W)	3
Lumen Output (lm)	151

### Physical

Colour	Grey
Length (mm)	125
Net weight (kg)	0.75
Package height (mm)	200
Package width (mm)	200
Package length (mm)	330
Package volume (m3)	0.01
IP internal	20

### Download

[Mounting instructions](#) PDF

[Dimmers or chargers compatible](#) PDF

### Photometric Files

[LDT / IES](#) LDT

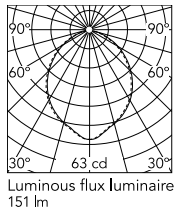
### Technical Drawings

[2D](#) ZIP

[3D](#) ZIP



## Schematic light drawing



## Photometric

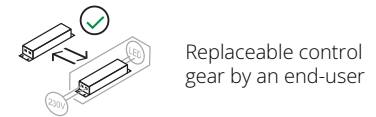
Lighting type	Direct
Light distribution	Roto symmetric
CCT (K)	2700
Extreme cut off	No

## Electrical

Insulation class	III
Frequency (Hz)	50/60
Main voltage (Vac)	100-240
Power supply	Remote excluded
Dimmable	Yes
Power supply type	Electronic 5V
Dimming interface	Dimmer Integrated
Batteries inside	Yes
Battery type	LI-PO
Charging max power	14
Charging min time	3H - 0% TO 100%
Charging socket/connector	USB-C

## Ecodesign and Energy Labelling

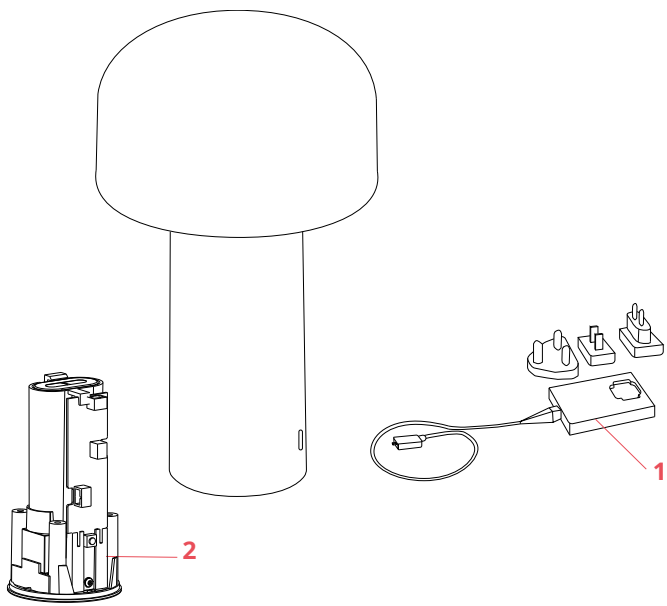
This product contains a light source of energy efficiency class C



## Spare Parts

02. Bellhop T Base assembly new  
type

RF36376





RF36376

Bellhop T Base assembly new  
type