

# FLOS

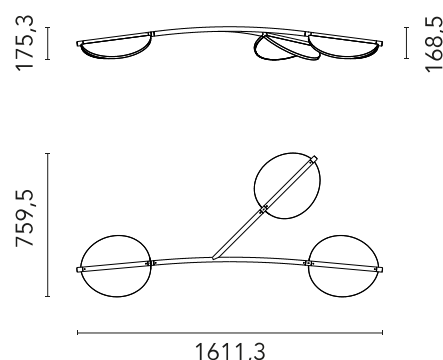
F0436009 Off-white

## Almendra Organic Suspension Short 3

Designed by Patricia Urquiola, 2022

45W - 1755lm - 2700K - CRI> 95

Suspension lamp with diffused light emission available in linear and organic compositions. Tubular structure made of aluminium and CNC aluminium terminals with matte or metallized finish. Edge Lighting technology integrated. Light units can be turned by steps of 60° within the structure in order to change the direction of the light emitted. Metal rosette with matte white finish. The integrated electronics in the ceiling rose allow the use of different dimming systems: 1-10V, DALI, push-dim or potentiometer. Useful length of the cable 3 mt. The product has been designed according to the ISCC standards and it is assembled with total absence of glued components so that it can be completely separated for future recyclability.



Are you a professional and your project needs consulting and support?

[BOOK AN APPOINTMENT](#)

### Main specifications

EAN	8059607048498
Mounting	Suspension
Environments	Indoor dry location
Light source type	LED
Light sources included	Yes
LED type	Edge Lighting
Power (W)	45
Lumen Output (lm)	1755

### Physical

Colour	Off-white
Length (mm)	1611
Cord colour	Clear
Cord length (mm)	2600
Canopy colour	White
Canopy length/diameter (mm)	799
Canopy width (mm)	70
Canopy height (mm)	39
Net weight (kg)	10.43
Package volume (m3)	0.25
IP internal	20

### Download

[Mounting instructions](#)  PDF

### Photometric Files

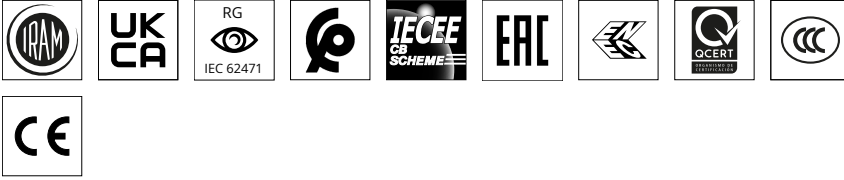
[LDT / IES](#)  LDT

### Technical Drawings

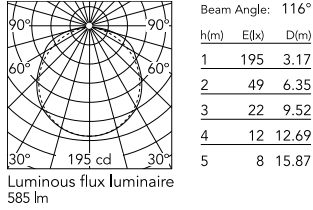
[2D](#)  ZIP

[3D](#)  ZIP

[Bim](#)  ZIP



### Schematic light drawing



### Photometric

Lighting type	Direct
Light distribution	Symmetric
CCT (K)	2700
CRI>	95

### Electrical

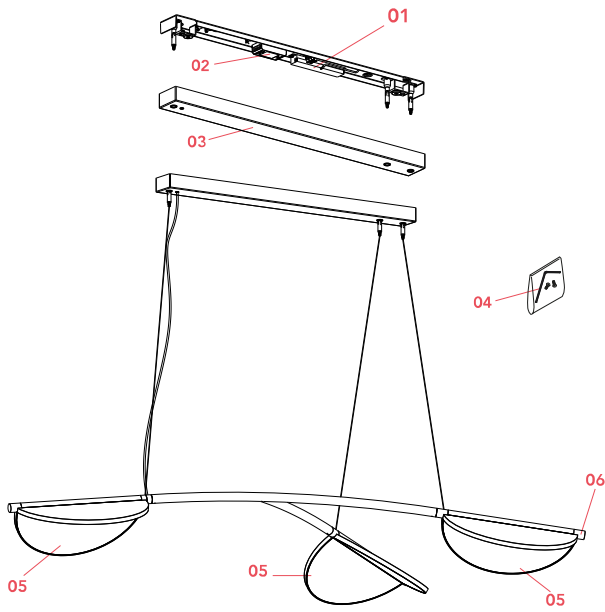
Insulation class	I
Frequency (Hz)	50/60
Main voltage (Vac)	220-240
Power supply	Integrated
Dimmable	Yes
Power supply type	Dimmable 0-10V, Dimmable 1-10V, Dimmable DALI 1, Dimmable Push
Dimming interface	Remote Dimmable (Dimmer Not Included)

### Ecodesign and Energy Labelling

This product contains a light source of energy efficiency class E



## Spare Parts



- |     |  |           |
|-----|--|-----------|
| 01. | Driver 96W 48V 220-240V                      | RF32405   |
| 02. | Led dimmer kit                               | RF34197   |
| 03. | Almendra S Y white cover                     | RF0429109 |
| 05. | Almendra Suspension White<br>body assembly   | RF32514   |
| 06. | Almendra S Arc/Y terminal joint<br>L31 White | RF33246   |



RF32405

Driver 96W 48V 220-240V



RF34197

Led dimmer kit



RF0429109

Almendra S Y white cover



RF32514

Almendra Suspension White body assembly



RF33246

Almendra S Arc/Y terminal joint  
L31 White