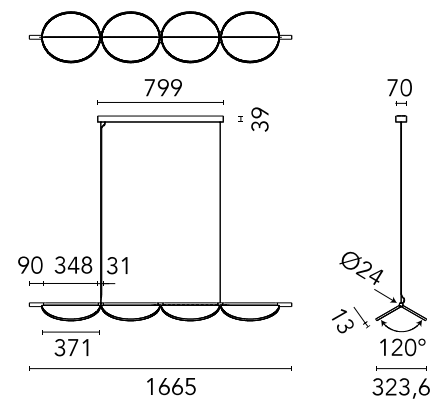
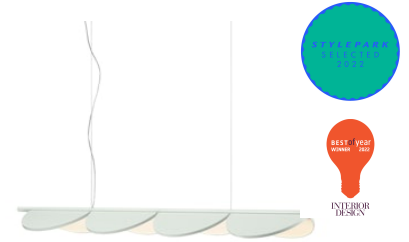


Almendra Linear Suspension 4 Primer

Designed by Patricia Urquiola, 2022

60W - 2340lm - 2700K - CRI> 95

Suspension lamp with diffused light emission available in linear and organic compositions. Tubular structure made of aluminium and CNC aluminium terminals with matte or metallized finish. Edge Lighting technology integrated. Light units can be turned by steps of 60° within the structure in order to change the direction of the light emitted. Metal rosette with primer finish. The integrated electronics in the ceiling rose allow the use of different dimming systems: 1-10V, DALI, push-dim or potentiometer. Useful length of the cable 3 mt. The product has been designed according to the ISCC standards and it is assembled with total absence of glued components so that it can be completely separated for future recyclability.



Are you a professional and your project needs consulting and support?

[BOOK AN APPOINTMENT](#)

Main specifications

EAN	8059607050743
Mounting	Suspension
Environments	Indoor dry location
Light source type	LED
Light sources included	Yes
LED type	Edge Lighting
Power (W)	60
Lumen Output (lm)	2340

Physical

Colour	Off-white
Length (mm)	1665
Cord colour	Clear
Cord length (mm)	2600
Canopy colour	Primer
Canopy length/diameter (mm)	799
Canopy width (mm)	70
Canopy height (mm)	39
Net weight (kg)	10.18
Package volume (m3)	0.22
IP internal	20

Download

[Mounting instructions](#) [↓ PDF](#)

Photometric Files

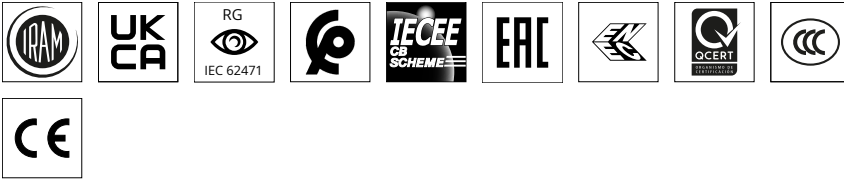
[LDT / IES](#) [↓ LDT](#)

Technical Drawings

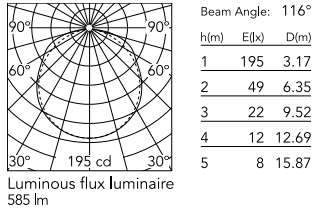
[2D](#) [↓ ZIP](#)

[3D](#) [↓ ZIP](#)

[Bim](#) [↓ ZIP](#)



Schematic light drawing



Photometric

Lighting type	Direct
Light distribution	Symmetric
CCT (K)	2700
CRI>	95

Electrical

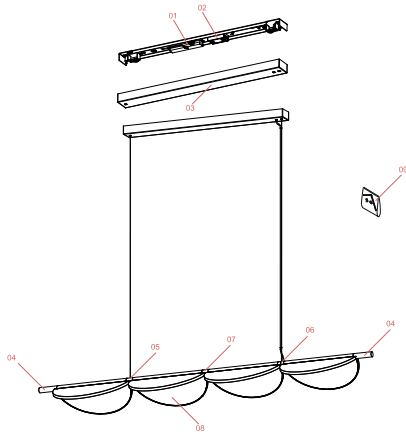
Insulation class	I
Frequency (Hz)	50/60
Main voltage (Vac)	220-240
Power supply	Integrated
Dimmable	Yes
Power supply type	Dimmable 0-10V, Dimmable 1-10V, Dimmable DALI 1, Dimmable Push
Dimming interface	Remote Dimmable (Dimmer Not Included)

Ecodesign and Energy Labelling

This product contains a light source of energy efficiency class E



Spare Parts



- | | | |
|-----|---|---------|
| 01. | Driver 96W 48V 220-240V | RF32405 |
| 02. | Led dimmer kit | RF34197 |
| 04. | Almendra White terminal joint
L90 | RF32773 |
| 05. | Almendra wiring and connections
white assembly | RF32530 |
| 06. | Almendra white suspension
wiring assembly | RF32521 |
| 07. | Assembly Almendra Suspension
Wiring White | RF32569 |
| 08. | Almendra Suspension White
body assembly | RF32514 |



RF32405
Driver 96W 48V 220-240V



RF34197
Led dimmer kit



RF32773
Almendra White terminal joint
L90



RF32530
Almendra wiring and connections
white assembly



RF32521
Almendra white suspension
wiring assembly



RF32569
Assembly Almendra Suspension
Wiring White



RF32514
Almendra Suspension White body
assembly