

RF04487

Porcelain E27 lamp holder



WARNING! When installing and whenever acting on the appliance, ensure that the power supply has been switched off.
For the installation of the spare-part, it is necessary to consult a qualified electrician.

RF04487

Porcelain E27 lamp holder

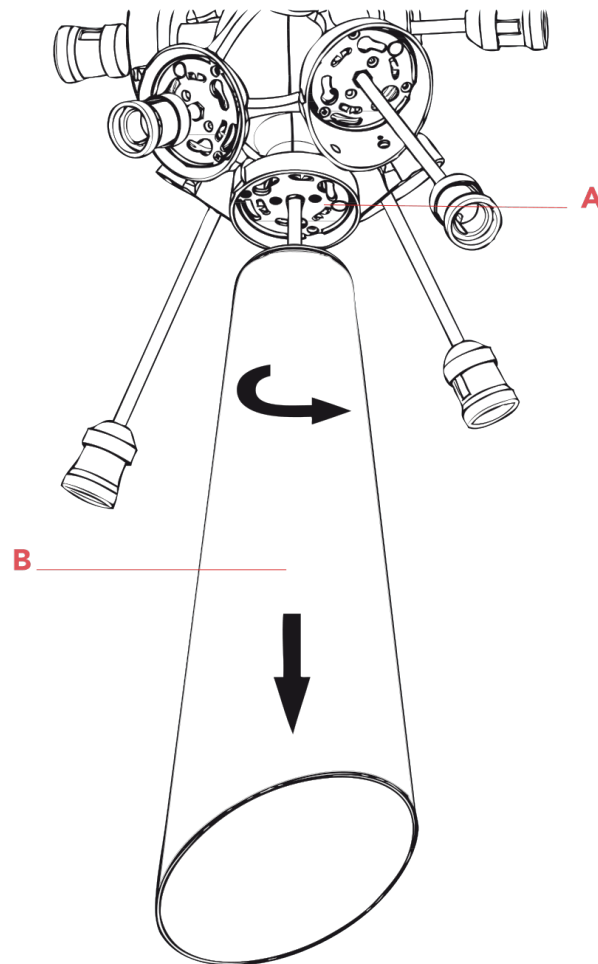


Fig.1

Delicately remove all the glass diffusers (B) from the lamp body (A), by rotating them counter clockwise (to turn the diffuser, utilize the external part of the diffuser).

REMARK!!! The top glass diffuser can not and must not be removed from the lamp body.

If the lamp holder that needs to be replaced is present in the top glass diffuser it is necessary disassemble the lamp body from ceiling.

WARNING! When installing and whenever acting on the appliance, ensure that the power supply has been switched off.
For the installation of the spare-part, it is necessary to consult a qualified electrician.

RF04487

Porcelain E27 lamp holder



Fig.2



Fig.3

Unfasten the 2 screws (C) inside the lamp holder (D).

WARNING! When installing and whenever acting on the appliance, ensure that the power supply has been switched off.
For the installation of the spare-part, it is necessary to consult a qualified electrician.

RF04487

Porcelain E27 lamp holder



Fig.4

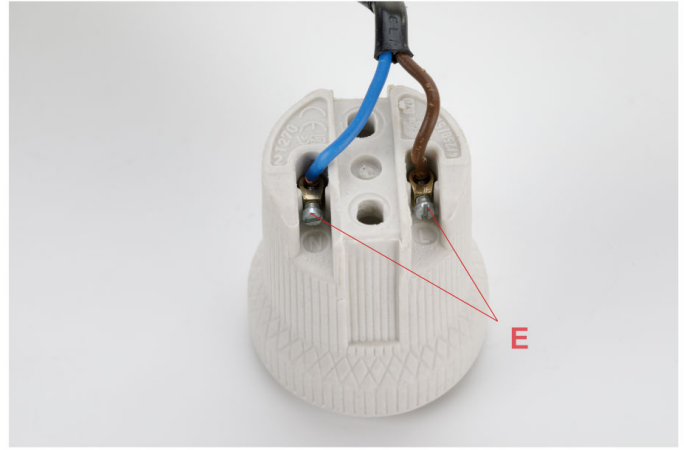


Fig.5

Disconnect the electrical wires (D) from the lamp holder terminals (E).

WARNING! When installing and whenever acting on the appliance, ensure that the power supply has been switched off.
For the installation of the spare-part, it is necessary to consult a qualified electrician.

RF04487

Porcelain E27 lamp holder

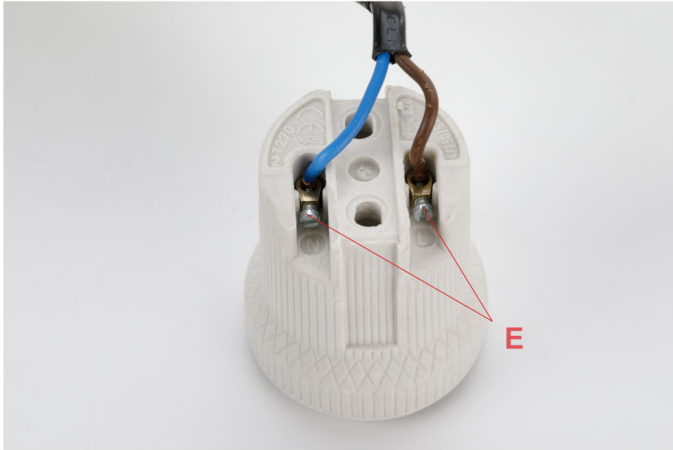


Fig.6

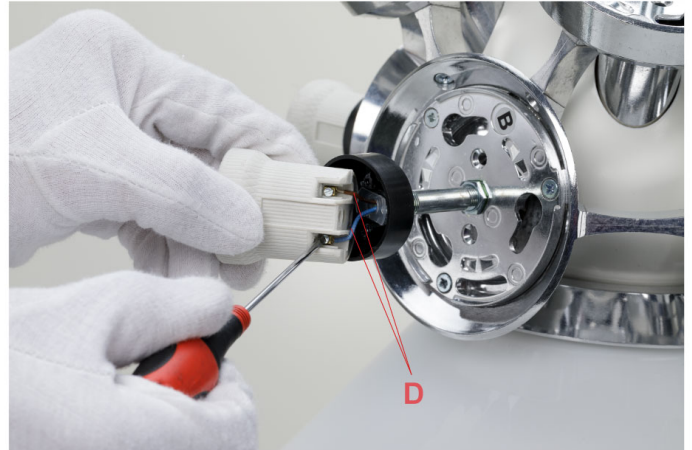


Fig.7

Assemble now the new spare-part:

Connect the electrical wires (D) of the lamp holder by respecting the polarities (E) indicated in correspondence of the connection terminal.

Connect the Brown (live) wire in the terminal indicated with "L" and then connect the Blue (neutral) wire in the other terminal indicated with "N".

Fix the lamp holder to the body by fastening the two screws (C).(Fig.2-3 page 2)

WARNING! When installing and whenever acting on the appliance, ensure that the power supply has been switched off. For the installation of the spare-part, it is necessary to consult a qualified electrician.

RF04487

Porcelain E27 lamp holder

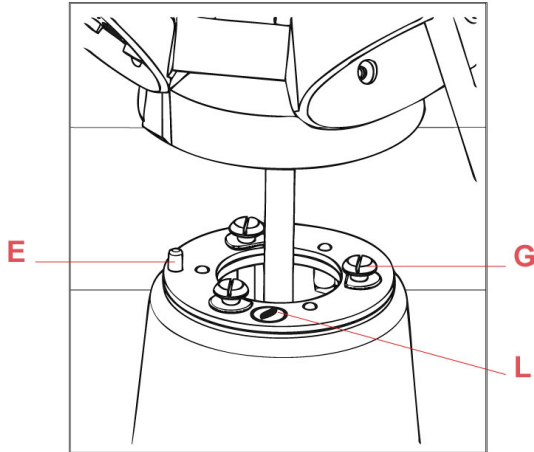


Fig.8

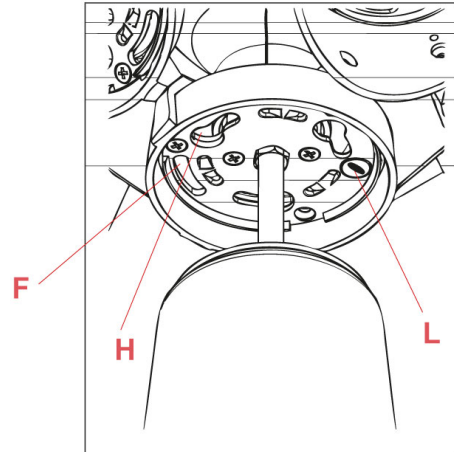


Fig.9

Assemble the type of diffuser on the lamp body ensuring that it corresponds with the reference pin (E) of the diffuser and with the opening (F) present of the lamp body. Insert the head of the three screws (G) into their appropriate slots (H) of the lamp body.

Rotate the diffuser clockwise until it locks in position (to turn the diffuser, utilize the eternal part of the diffuser).

The diffuser type and the relative assembly are located and indicated by the Fig.8 proper label (L);

WARNING! When installing and whenever acting on the appliance, ensure that the power supply has been switched off.
For the installation of the spare-part, it is necessary to consult a qualified electrician.

RF04487

Porcelain E27 lamp holder

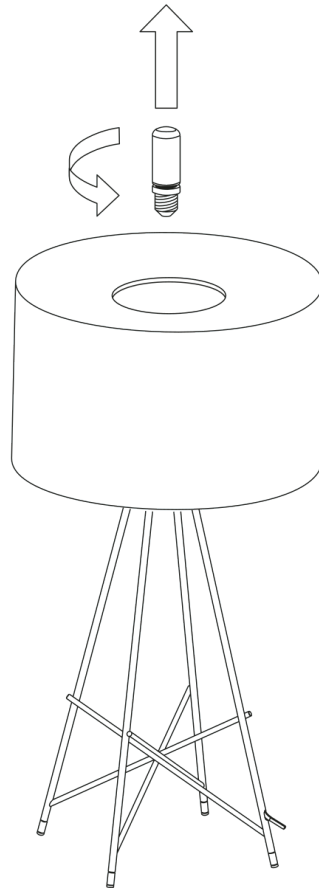


Fig.1

Verify that the lamp-bulb has been removed from the device.

WARNING! When installing and whenever acting on the appliance, ensure that the power supply has been switched off.
For the installation of the spare-part, it is necessary to consult a qualified electrician.

RF04487

Porcelain E27 lamp holder

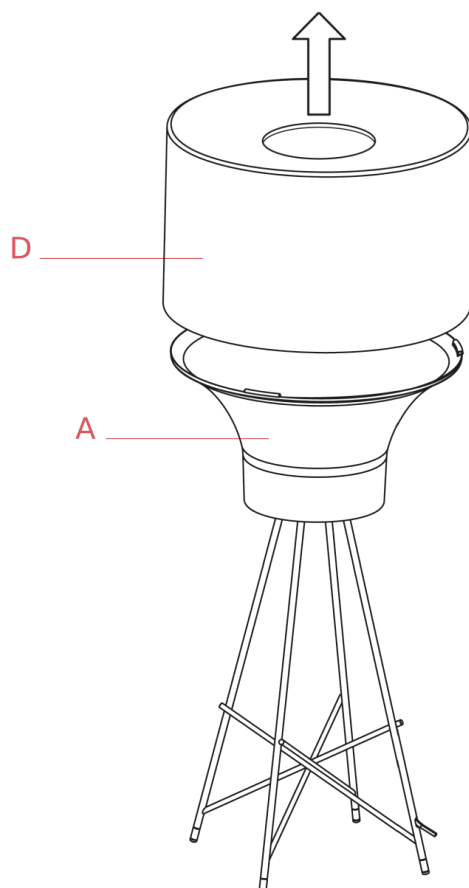


Fig.2

Remove the diffuser (D) from its support (A).

WARNING! When installing and whenever acting on the appliance, ensure that the power supply has been switched off.
For the installation of the spare-part, it is necessary to consult a qualified electrician.

RF04487

Porcelain E27 lamp holder

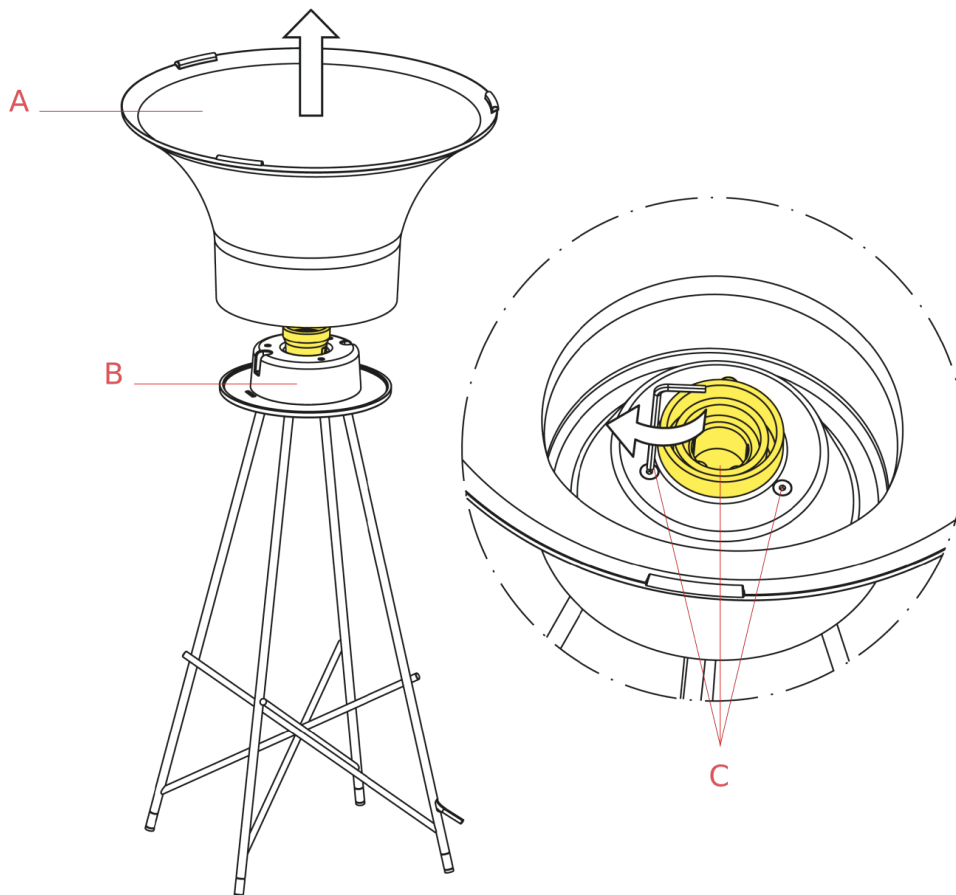


Fig.3

Unfasten the three screws (C) inside the diffuser support (A), by utilizing an Allen key and then remove the diffuser support (A) from the unit (B).

WARNING! When installing and whenever acting on the appliance, ensure that the power supply has been switched off.
For the installation of the spare-part, it is necessary to consult a qualified electrician.

RF04487

Porcelain E27 lamp holder



Fig.4

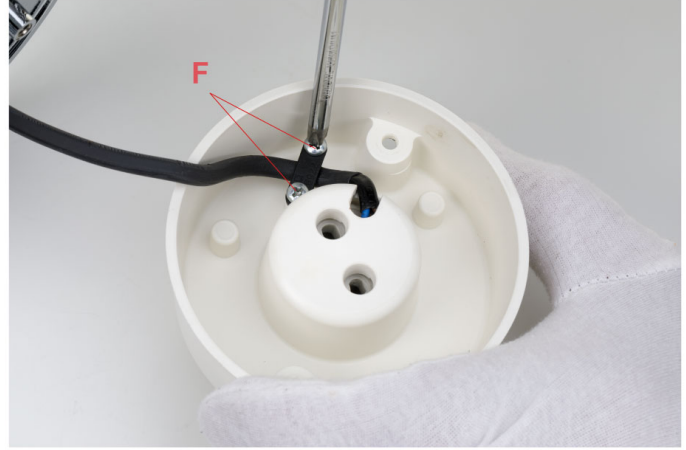


Fig.5



Fig.6

Unfasten the two lateral screws (E) of the lamp holder protection cover.
Lift up the lamp holder protection cover and unfasten the screws (F) of the cable clamp.
Unfasten the lamp holder fixing screws (G).

WARNING! When installing and whenever acting on the appliance, ensure that the power supply has been switched off.
For the installation of the spare-part, it is necessary to consult a qualified electrician.

RF04487

Porcelain E27 lamp holder



Fig.7

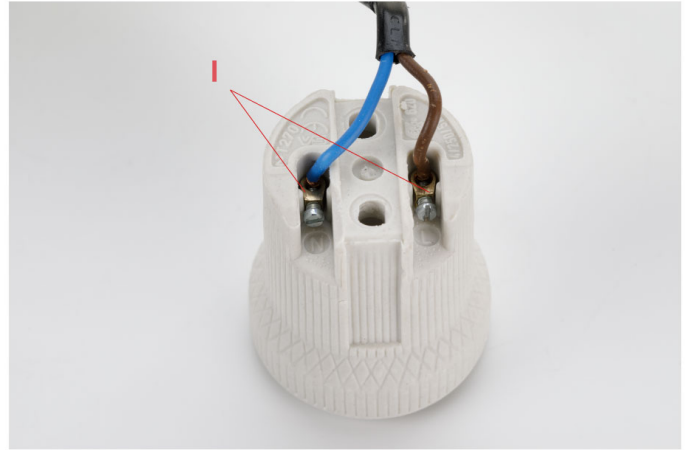


Fig.8

Disconnect the electrical wires (H) from the lamp holder terminals (I).

Assemble now the new spare-part:

Connect the electrical wires (H) of the lamp holder by respecting the polarities (I) indicated in correspondence of the connection terminal.

Connect the Brown (live) wire in the terminal indicated with "L" and then connect the Blue (neutral) wire in the other terminal indicated with "N".

Fasten the lamp holder fixing screws (G).(Fig.6 page 9)

Clamp the cable by fastening the screws (F) of the cable clamp.(Fig.5 page 9)

Assemble the protection cover by fastening the two lateral screws (E).(Fig.4 page 9)

Collocate the diffuser (D) on the diffuser support (A).(Fig.2 page 7)

Insert the lamp-bulb. (Fig.1 page 6)

WARNING! When installing and whenever acting on the appliance, ensure that the power supply has been switched off.
For the installation of the spare-part, it is necessary to consult a qualified electrician.

RF04487

Porcelain E27 lamp holder

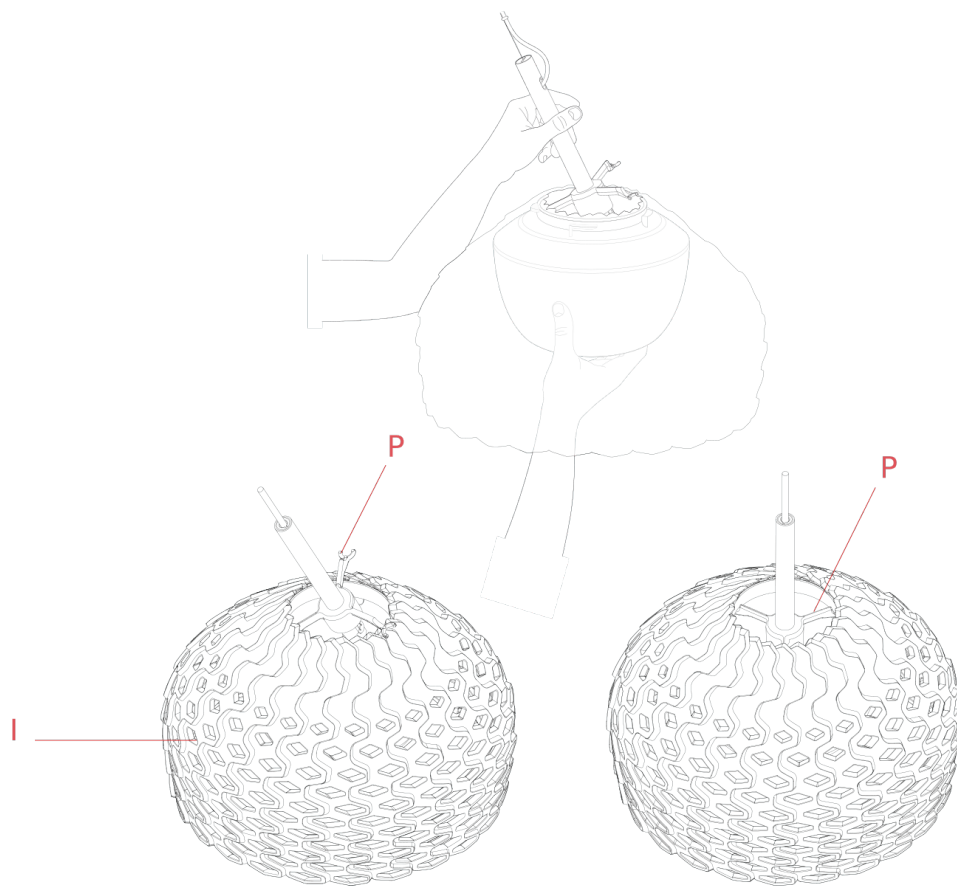


Fig.1

Remove the diffuser (I) by unhooking the three arms (P).

WARNING! When installing and whenever acting on the appliance, ensure that the power supply has been switched off.
For the installation of the spare-part, it is necessary to consult a qualified electrician.

RF04487

Porcelain E27 lamp holder

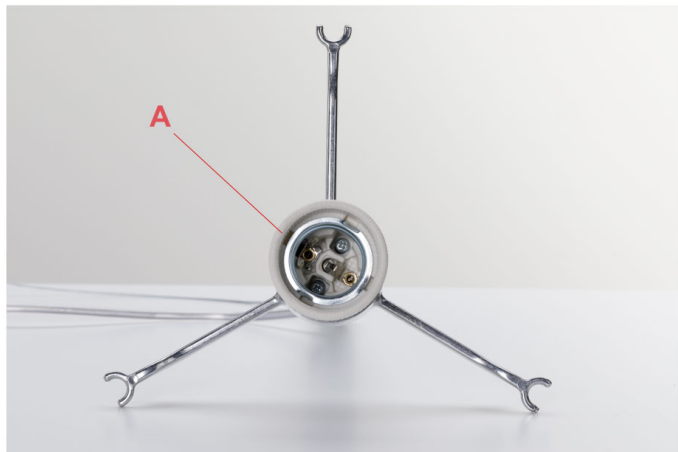


Fig.2

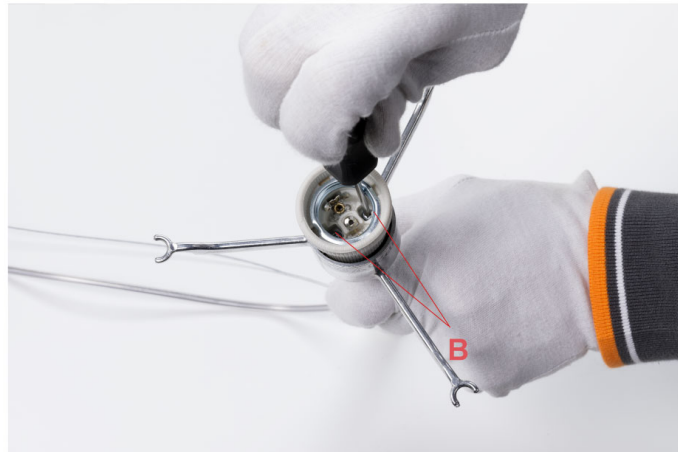


Fig.3

Unfasten the two screws (B) of the lamp holder (A).

WARNING! When installing and whenever acting on the appliance, ensure that the power supply has been switched off.
For the installation of the spare-part, it is necessary to consult a qualified electrician.

RF04487

Porcelain E27 lamp holder

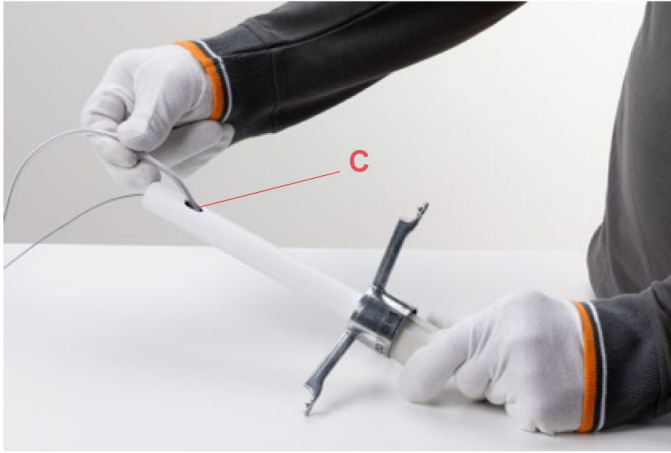


Fig.4

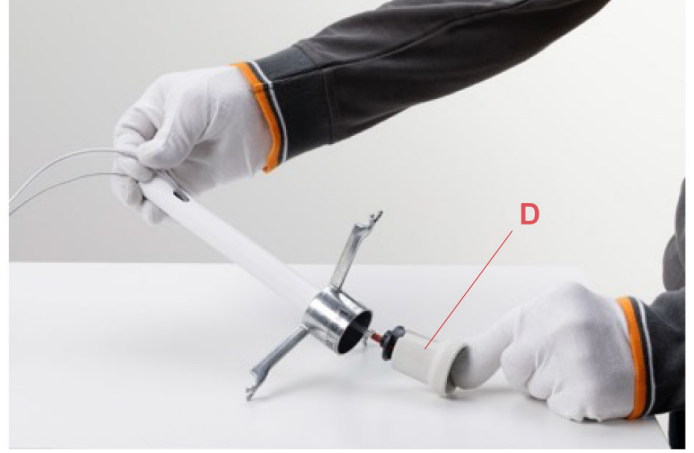


Fig.5

Push the electrical cable (C) downwards, in away to have access to the lamp holder terminals (D).

WARNING! When installing and whenever acting on the appliance, ensure that the power supply has been switched off.
For the installation of the spare-part, it is necessary to consult a qualified electrician.

RF04487

Porcelain E27 lamp holder

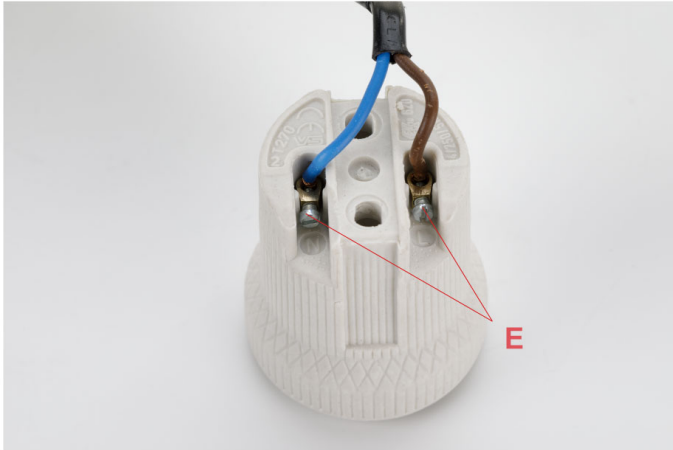


Fig.6

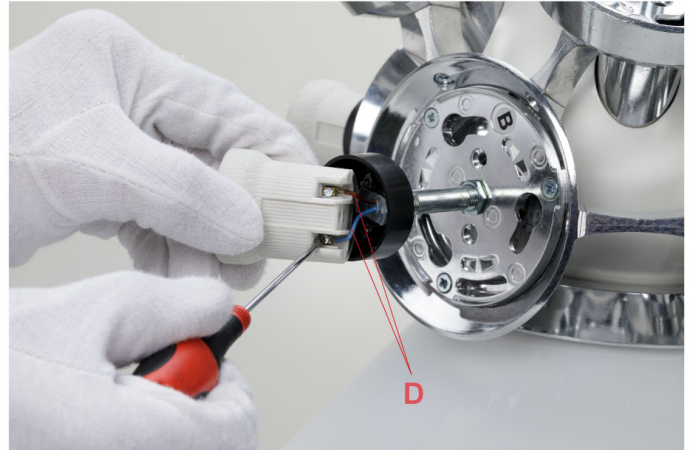


Fig.7

Loosen the locking screw of the cable clamp (E) and push it backwards, in away to have access to the electrical connections.

Disconnect the electrical wires (F) by unfastening the terminal (D) screws and remove the damaged lamp holder (A).

Assemble now the new spare-part:

Install the new lamp holder (A) by connecting the electrical wires (F) to the terminals (D).

REMARKS! Please respect the polarities of the electrical conductors.

Position back the cable clamp (E) and proceed by tightening back the locking screw. (do not force to hard).

Pull up the electrical cable (C).(Fig.4 page 23)

Assemble the lamp holder (D) back to the lamp body by fastening the two screws (B).(Fig.3 page 22)

Fit the diffuser (I) onto the supports of the three arms (P), by tilting the supports as shown in the image, by inserting first the lamp-bulb and one arm through the lamp hole.(Fig.1 page 21)

WARNING! When installing and whenever acting on the appliance, ensure that the power supply has been switched off. For the installation of the spare-part, it is necessary to consult a qualified electrician.