

RF7751200

Tatou opal reflector assembly



WARNING! When installing and whenever acting on the appliance, ensure that the power supply has been switched off.
For the installation of the spare-part, it is necessary to consult a qualified electrician.

RF7751200

Tatou opal reflector assembly

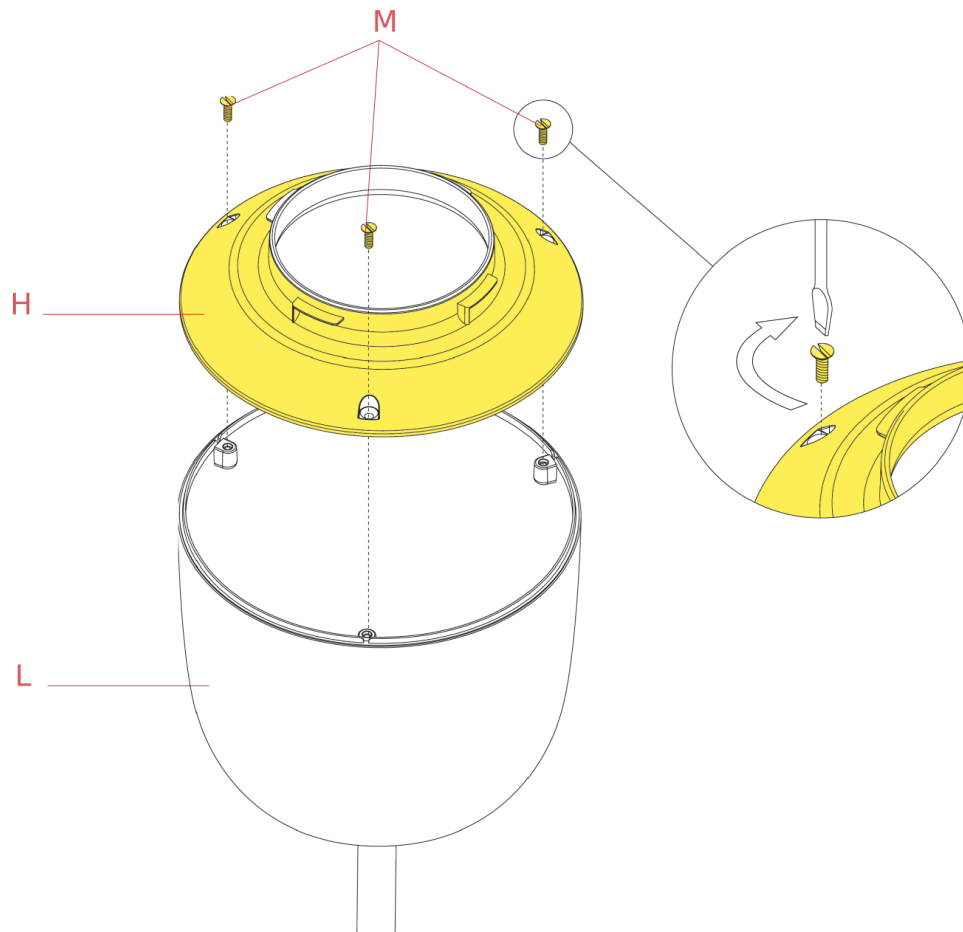


Fig.1

Assemble the reflector ring (H) onto the internal diffuser (L) by fastening the three screws (M). Please utilize flat blade screwdriver.

WARNING! When installing and whenever acting on the appliance, ensure that the power supply has been switched off. For the installation of the spare-part, it is necessary to consult a qualified electrician.

RF7751200

Tatou opal reflector assembly

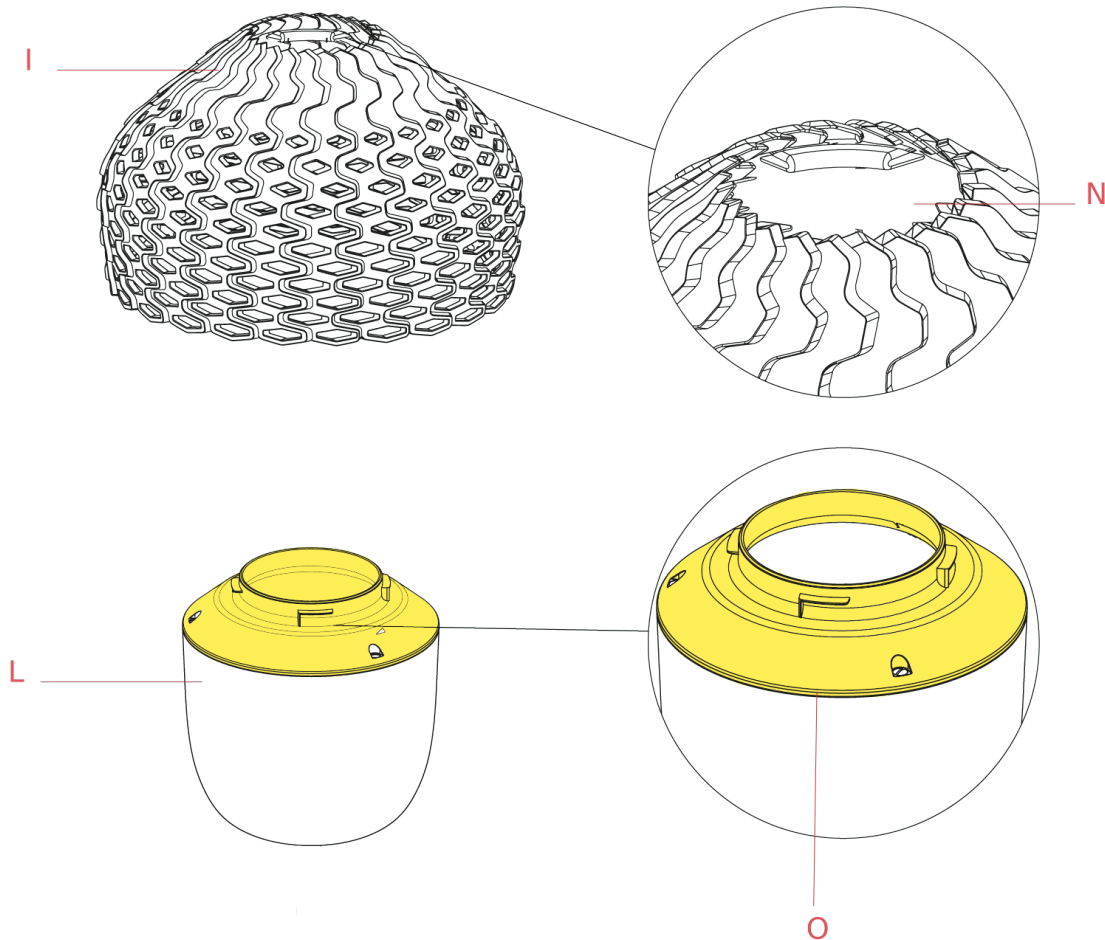


Fig.2

Assemble the external diffuser (I) onto the reflector ring (L) being careful to make the three hooks (O) present on the reflector ring (O) correspond with the relative housings (L) present on the external diffuser (I). At this point, lock the external diffuser by rotating it slightly clockwise.

WARNING! When installing and whenever acting on the appliance, ensure that the power supply has been switched off. For the installation of the spare-part, it is necessary to consult a qualified electrician.

RF7751200

Tatou opal reflector assembly

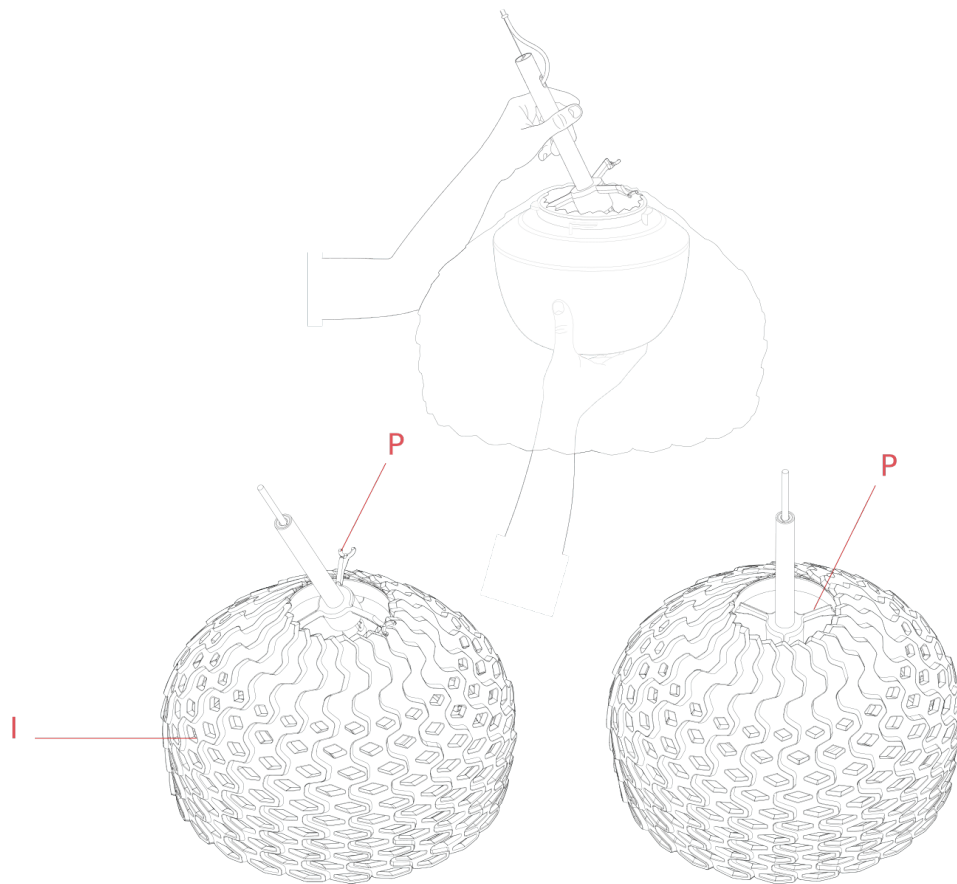


Fig.3

Fit the diffuser (I) onto the supports of the three arms (P), by tilting the supports as shown in the image, by inserting first the lamp-bulb and one arm through the lamp hole.

WARNING! When installing and whenever acting on the appliance, ensure that the power supply has been switched off. For the installation of the spare-part, it is necessary to consult a qualified electrician.

RF7751200

Tatou opal reflector assembly

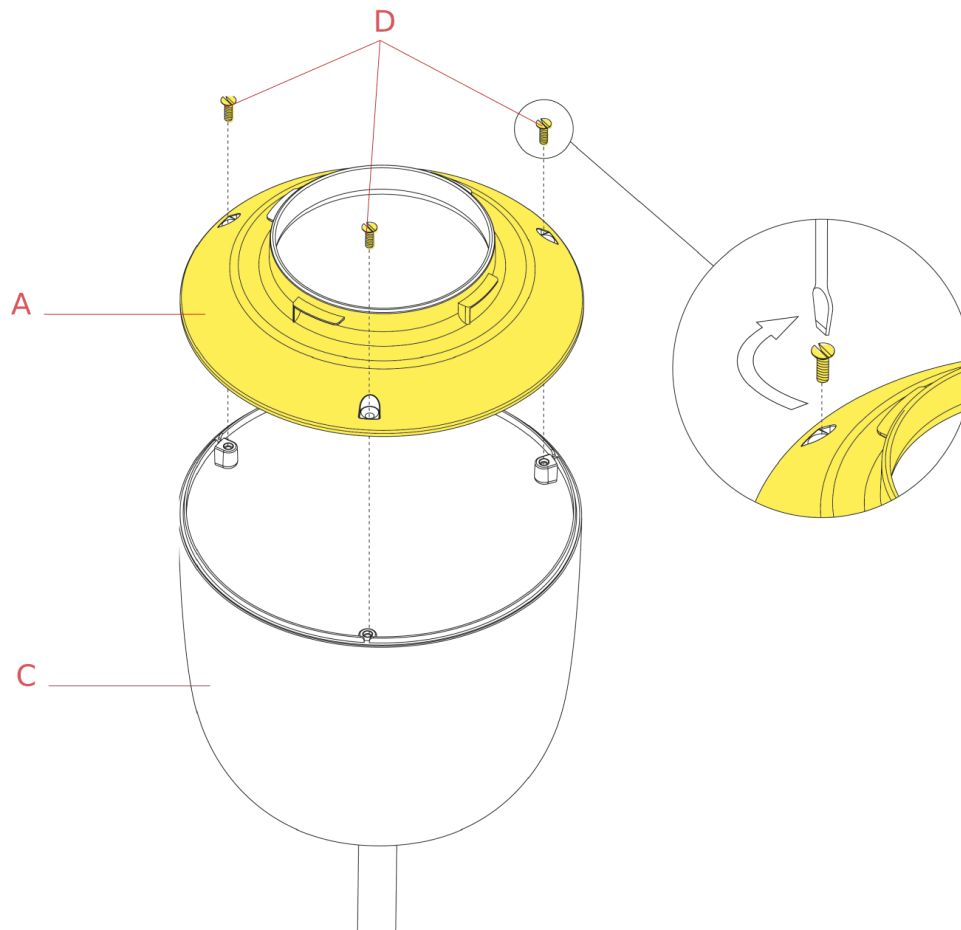


Fig.1

Assemble the reflector ring (H) onto the internal diffuser (L) by fastening the three screws (M). Please utilize flat blade screwdriver.

WARNING! When installing and whenever acting on the appliance, ensure that the power supply has been switched off. For the installation of the spare-part, it is necessary to consult a qualified electrician.

RF7751200

Tatou opal reflector assembly

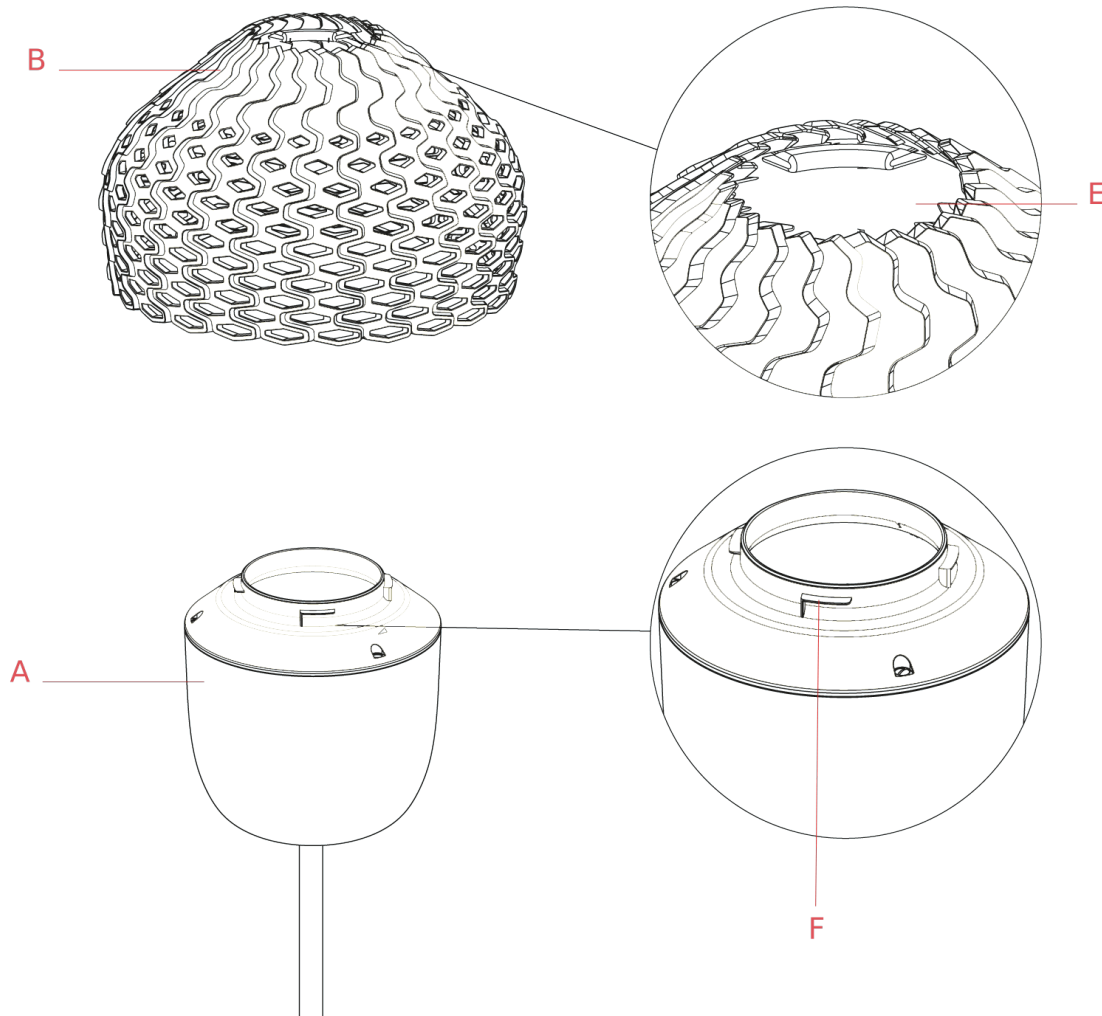


Fig.2

Insert the lamp bulb.

Assemble the external diffuser (B) onto the reflector ring (A) being careful to make the three hooks (F) present on the reflector ring (A) correspond with the relative housings (E) present on the external diffuser (B).

At this point, lock the external diffuser by rotating it slightly clockwise.

WARNING! When installing and whenever acting on the appliance, ensure that the power supply has been switched off.
For the installation of the spare-part, it is necessary to consult a qualified electrician.