

RF22934

Power supply unit for led



WARNING! When installing and whenever acting on the appliance, ensure that the power supply has been switched off. For the installation of the spare-part, it is necessary to consult a qualified electrician.

RF22934

Power supply unit for led

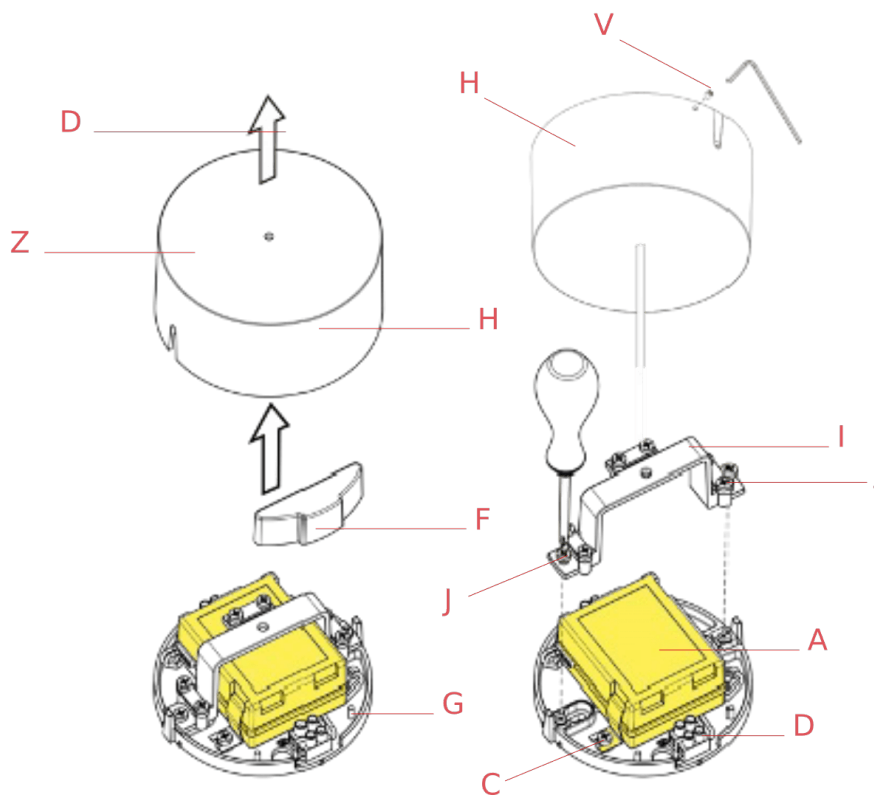


Fig.1

Unfasten the screws (V), remove the rose (H) from the ceiling/wall attachment (G) and the cover (F) from its housing so that you uncover the terminal block where the main cables are. Then unfasten the two screws (J) from the support (I) in a way to have access to replace the power supply unit. Disconnect the wires from the terminals (D): primary and secondary, unfasten the fixing screw (C) and remove the power supply unit (A).

Proceed in replacing the power supply unit.

WARNING! When installing and whenever acting on the appliance, ensure that the power supply has been switched off. For the installation of the spare-part, it is necessary to consult a qualified electrician.

RF22934

Power supply unit for led

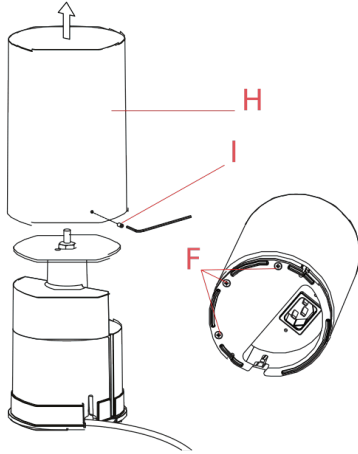


Fig.2

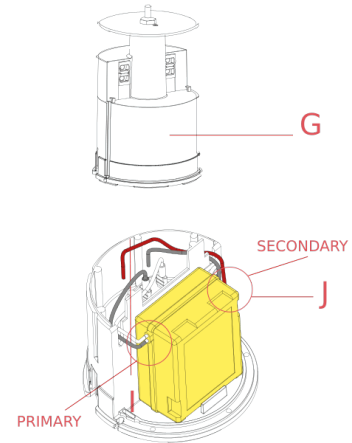


Fig.3

Remove the cover (H) by unfastening the screw (I). Turn upside-down the pedal switch and unfasten the 3 screws (F).

Remove the housing (G). Cut the primary (white & Black) and secondary (Red & Black) wires near the damaged power supply unit (J).

Refer to the two circles in the image on the left hand side.

Remove the damaged power supply unit.

WARNING! When installing and whenever acting on the appliance, ensure that the power supply has been switched off. For the installation of the spare-part, it is necessary to consult a qualified electrician.

RF22934

Power supply unit for led

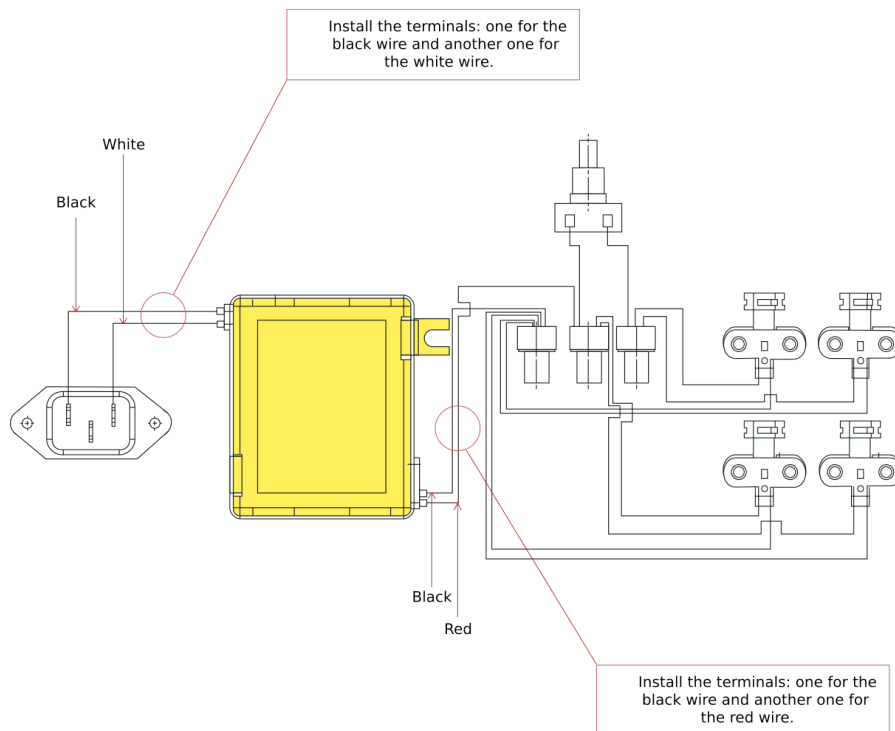


Fig.4

Assemble now the new spare-part:

Strip the wires. Connect the wires primary and secondary of the power unit to the wires of the old power supply unit. Connect them by utilizing terminals (not supplied with the spare-part). Please refer to the electrical connection drawing above.

Collocate the housing (G) back in a way that covers the power supply (J). (fig.3 page 2)

Fasten back the 3 screws (F) (fig.2 page 2)

WARNING! When installing and whenever acting on the appliance, ensure that the power supply has been switched off. For the installation of the spare-part, it is necessary to consult a qualified electrician.

RF22934

Power supply unit for led

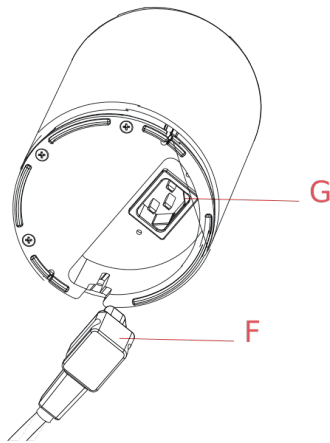


Fig.5

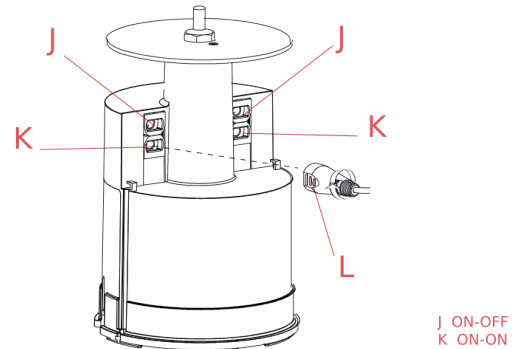


Fig.6

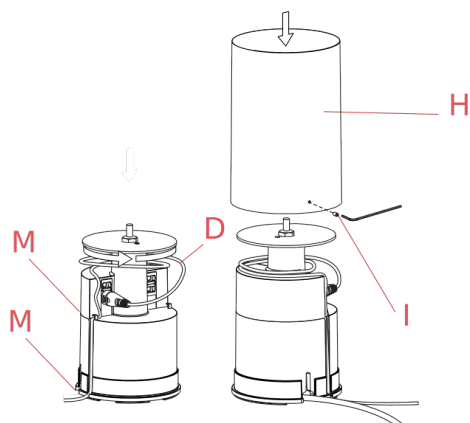


Fig.7

Insert the plug (F) into the socket (G) on the base.

Insert the coaxial connector (L) of the cable into the appropriate sockets (J-K) according to the desired function.

NOTE: The upper sockets (J) are used to control the device with "floor switch", the lower sockets (K) prevent you being able to turn off the device with "floor switch".

Wrap up the excess cable (D). Insert the part of the cable, that need to be inserted the channel and hooks (M).

Position the cover (H) and fasten the grub screw (I).

WARNING! When installing and whenever acting on the appliance, ensure that the power supply has been switched off. For the installation of the spare-part, it is necessary to consult a qualified electrician.