

RF11791

Miss K Table Internal diffuser



WARNING! When installing and whenever acting on the appliance, ensure that the power supply has been switched off.
For the installation of the spare-part, it is necessary to consult a qualified electrician.

RF11791

Miss K Table Internal diffuser

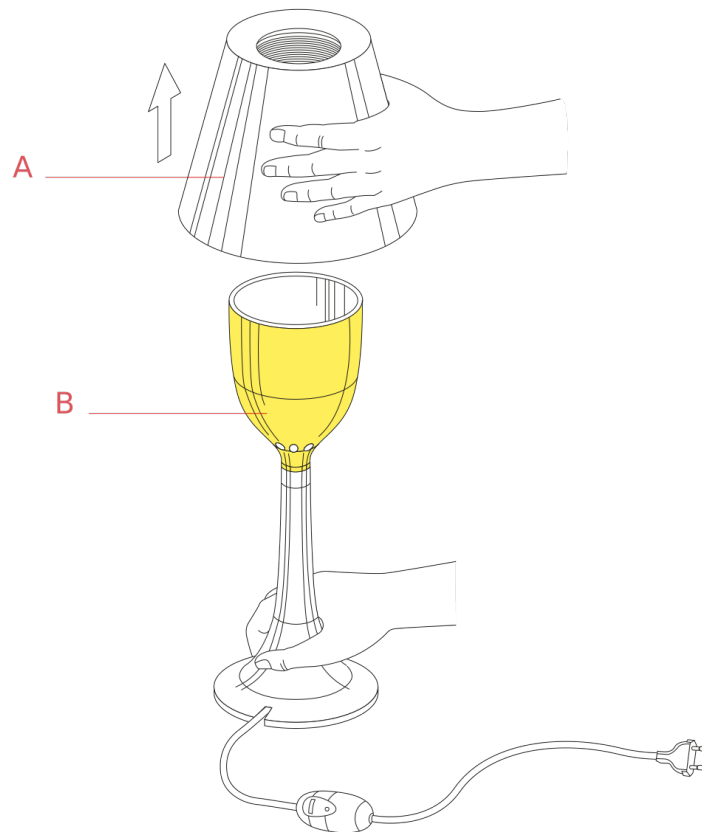


Fig.1

Remove the external diffuser (A) from the internal diffuser (B).

WARNING! When installing and whenever acting on the appliance, ensure that the power supply has been switched off. For the installation of the spare-part, it is necessary to consult a qualified electrician.

RF11791

Miss K Table Internal diffuser

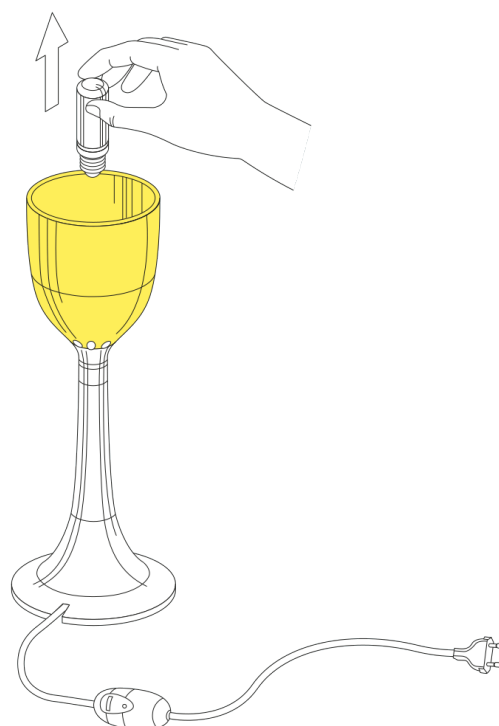


Fig.2

Remove the lamp bulb.

WARNING! When installing and whenever acting on the appliance, ensure that the power supply has been switched off.
For the installation of the spare-part, it is necessary to consult a qualified electrician.

RF11791

Miss K Table Internal diffuser

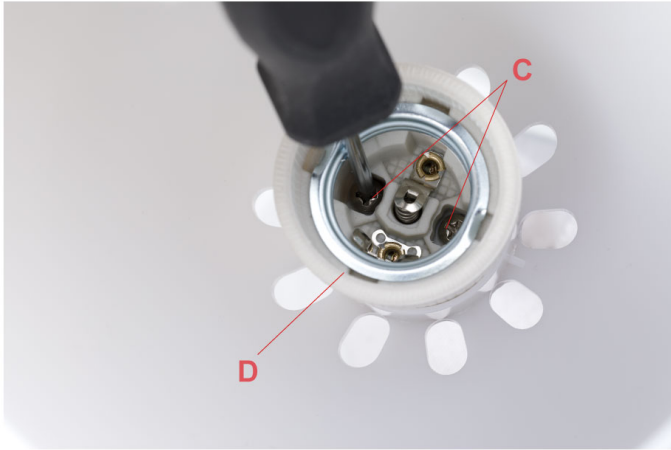


Fig.3

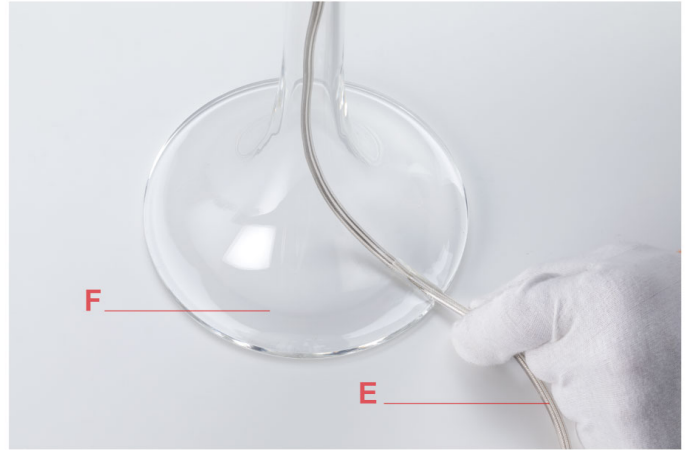


Fig.4

Unfasten the 2 screws (C) inside the lamp holder (D).

Push through the lamp base (F) some spare electrical cable (E).

WARNING! When installing and whenever acting on the appliance, ensure that the power supply has been switched off.
For the installation of the spare-part, it is necessary to consult a qualified electrician.

RF11791

Miss K Table Internal diffuser

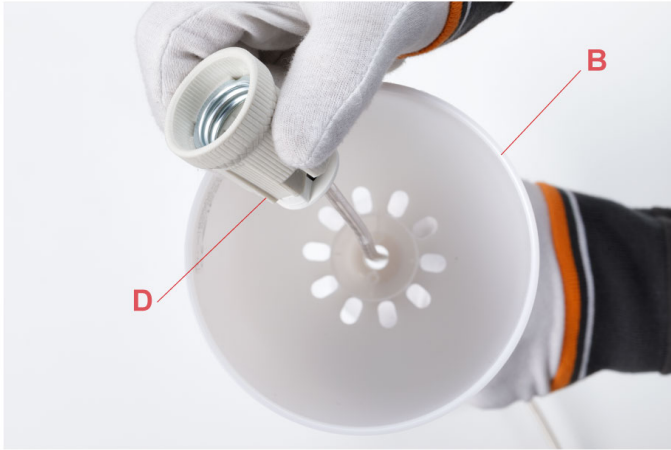


Fig.5

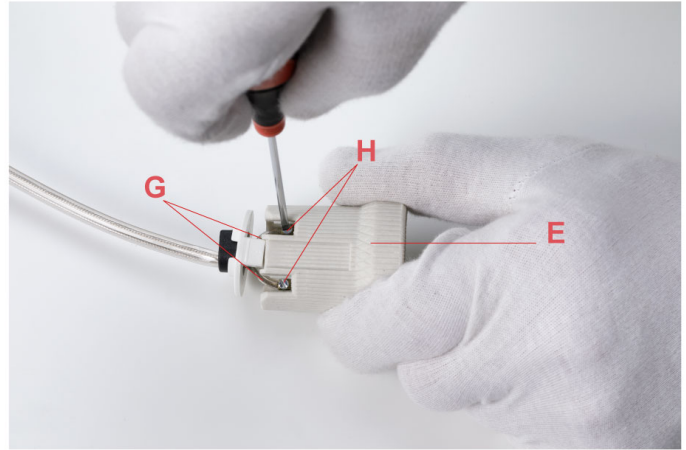


Fig.6

Unfasten the 2 screws (C) inside the lamp holder (D).
Push through the lamp base (F) some spare electrical cable (E).

WARNING! When installing and whenever acting on the appliance, ensure that the power supply has been switched off.
For the installation of the spare-part, it is necessary to consult a qualified electrician.

RF11791

Miss K Table Internal diffuser

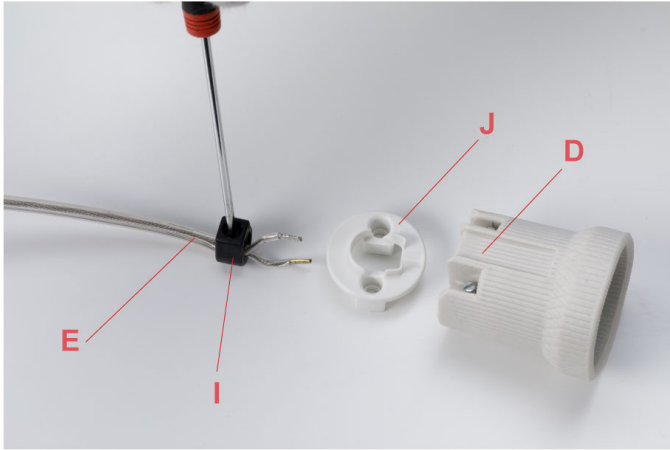


Fig.7



Fig.8

Unfasten the screw of the cable clamp (I).

Slide off from the electrical cable (E) the lamp holder (D), lamp holder support (J) and cable clamp (I). (Fig.7)

Unfasten the internal diffuser (B) from the lamp base (F). (Fig.8)

Assemble now the new spare part:

Fasten the internal diffuser (B) on the lamp base (F). (Fig.8)

Insert through the electrical cable (E), the cable clamp (I) and the lamp holder support (J).

Connect the wires to the terminals (H) of the lamp holder (D) respecting the polarities and fasten the screw of the cable clamp (I). (Fig.7)

Insert the lamp holder (D) in his apposite position inside the internal diffuser (B). (Fig.5 page 9)

Pull out the excess cable (E) present inside the lamp base (F). (Fig.4 page 9)

WARNING! When installing and whenever acting on the appliance, ensure that the power supply has been switched off.
For the installation of the spare-part, it is necessary to consult a qualified electrician.

RF11791

Miss K Table Internal diffuser

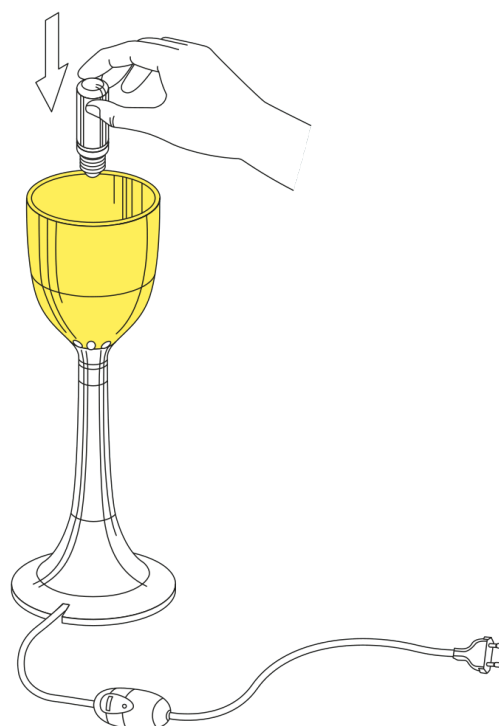


Fig.9

Install the lamp bulb.

WARNING! When installing and whenever acting on the appliance, ensure that the power supply has been switched off.
For the installation of the spare-part, it is necessary to consult a qualified electrician.

RF11791

Miss K Table Internal diffuser

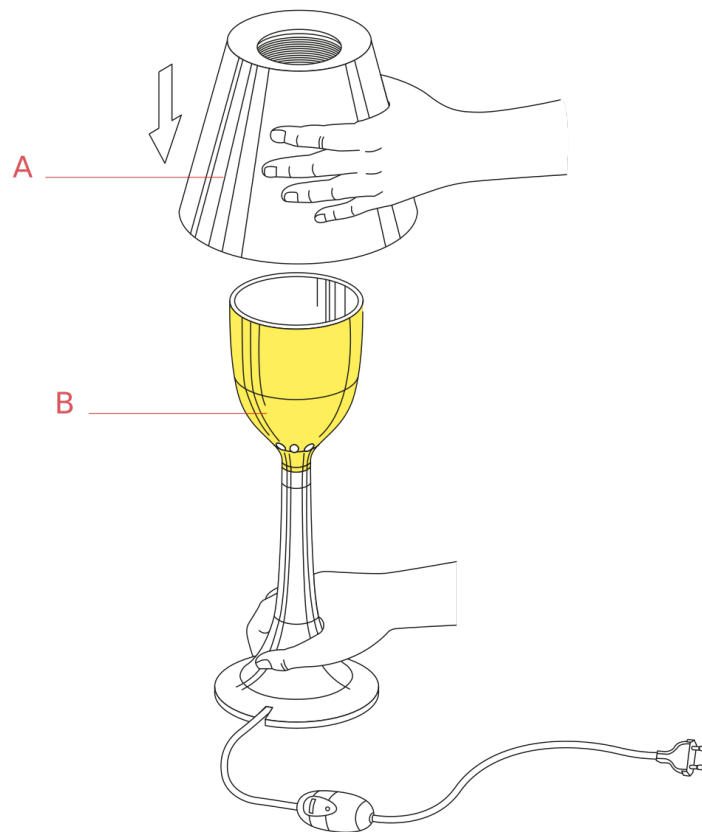


Fig.10

Install the external diffuser (A) on the internal diffuser (B).

WARNING! When installing and whenever acting on the appliance, ensure that the power supply has been switched off. For the installation of the spare-part, it is necessary to consult a qualified electrician.