

**F7751009**

Tatou Table 1-Suspension 1 white assembly diffuser



WARNING! When installing and whenever acting on the appliance, ensure that the power supply has been switched off.  
For the installation of the spare-part, it is necessary to consult a qualified electrician.

**F7751009**

Tatou Table 1-Suspension 1 white assembly diffuser

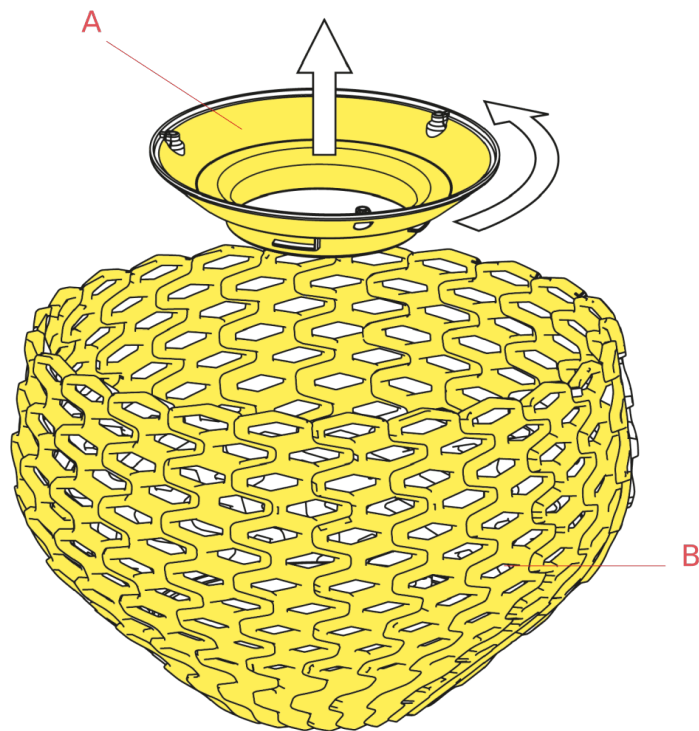


Fig.1

Disassemble the reflector ring (A) from the external diffuser (B) by rotating it slightly counterclockwise.

WARNING! When installing and whenever acting on the appliance, ensure that the power supply has been switched off.  
For the installation of the spare-part, it is necessary to consult a qualified electrician.

**F7751009**

Tatou Table 1-Suspension 1 white assembly diffuser

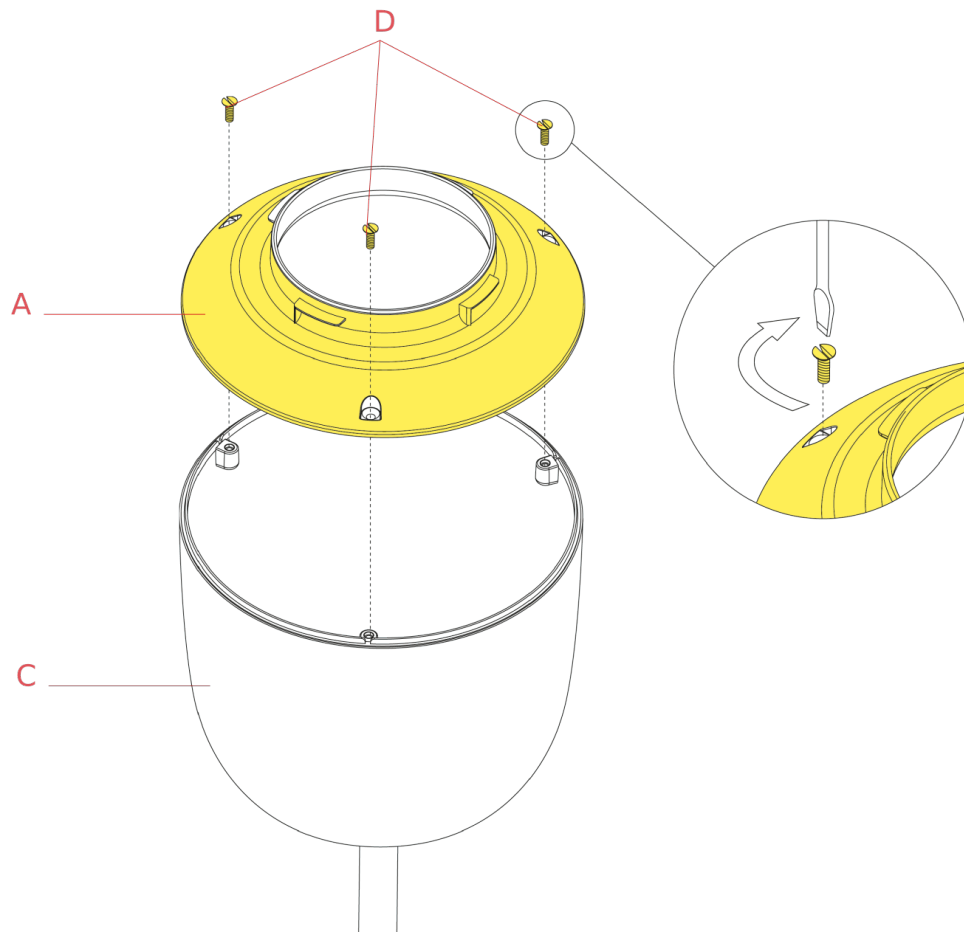


Fig.2

Assemble the reflector ring (A) on the internal diffuser (C) by fastening the three screws (D). Please utilize flat blade screwdriver.

WARNING! When installing and whenever acting on the appliance, ensure that the power supply has been switched off. For the installation of the spare-part, it is necessary to consult a qualified electrician.

**F7751009**

Tatou Table 1-Suspension 1 white assembly diffuser

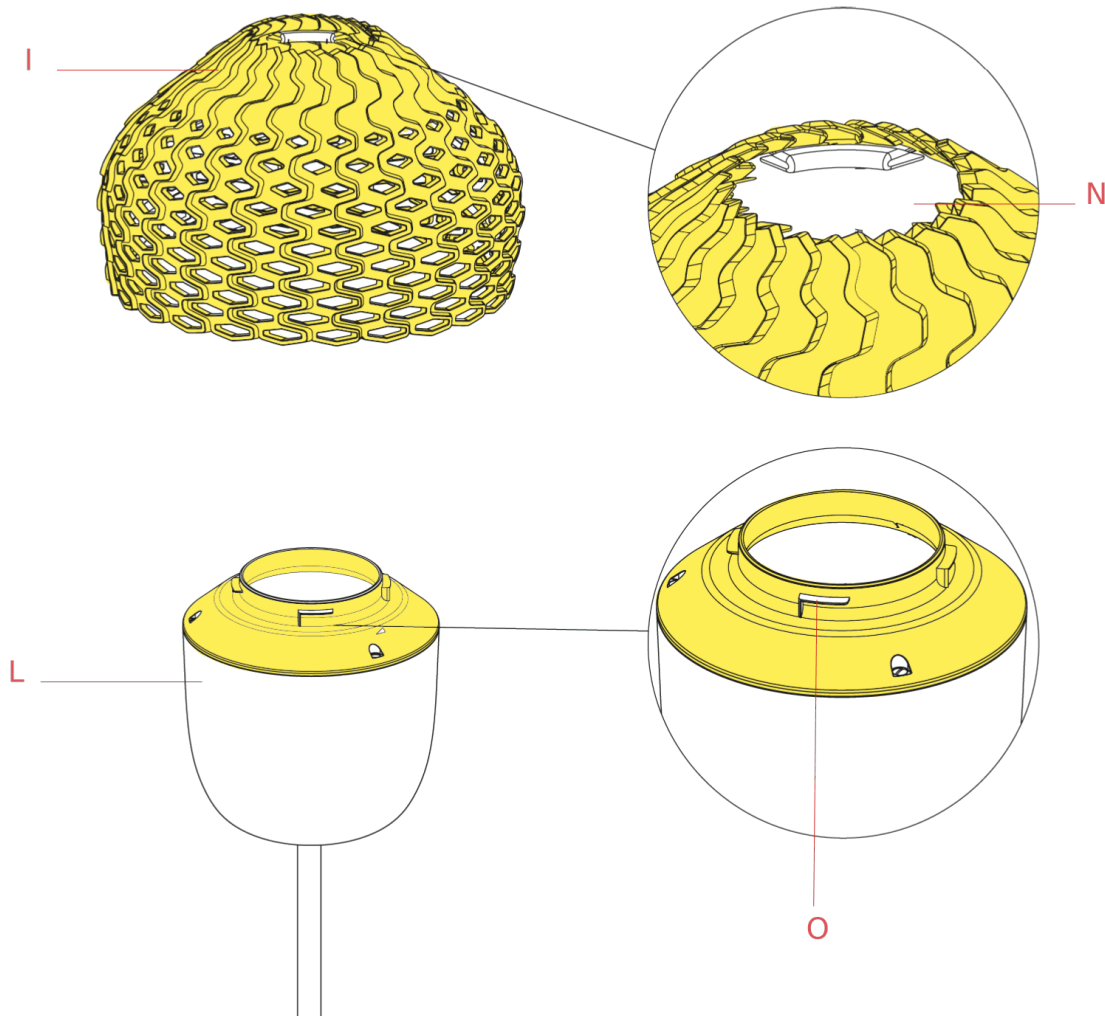


Fig.3

Assemble the external diffuser (I) onto the reflector ring (L) being careful to make the three hooks (O) present on the reflector ring (O) correspond with the relative housings (L) present on the external diffuser (I).  
At this point, lock the external diffuser by rotating it slightly clockwise.

WARNING! When installing and whenever acting on the appliance, ensure that the power supply has been switched off.  
For the installation of the spare-part, it is necessary to consult a qualified electrician.

**F7751009**

Tatou Table 1-Suspension 1 white assembly diffuser

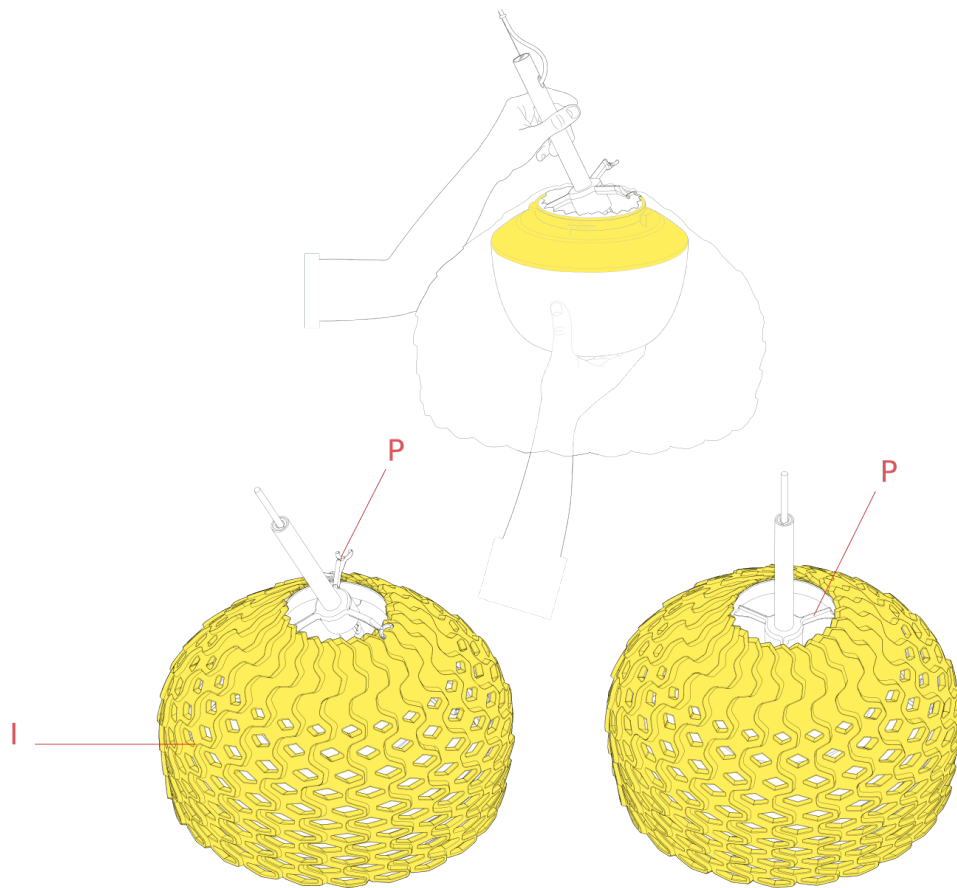


Fig.4

Fit the diffuser (I) onto the supports of the three arms (P), by tilting the supports as shown in the image, by inserting first the lamp-bulb and one arm through the lamp hole.

WARNING! When installing and whenever acting on the appliance, ensure that the power supply has been switched off. For the installation of the spare-part, it is necessary to consult a qualified electrician.

**F7751009**

Tatou Table 1-Suspension 1 white assembly diffuser

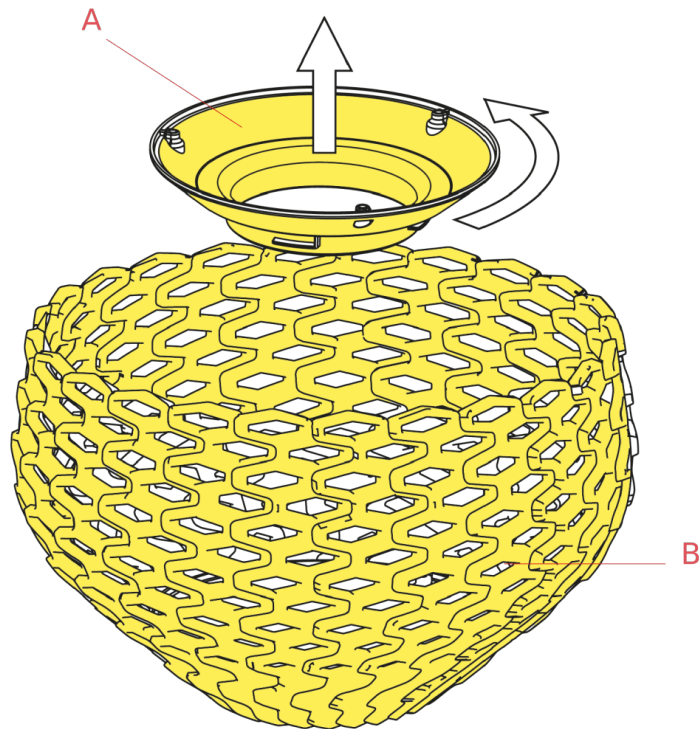


Fig.1

Disassemble the reflector ring (A) from the external diffuser (B) by rotating it slightly counterclockwise.

WARNING! When installing and whenever acting on the appliance, ensure that the power supply has been switched off.  
For the installation of the spare-part, it is necessary to consult a qualified electrician.

**F7751009**

Tatou Table 1-Suspension 1 white assembly diffuser

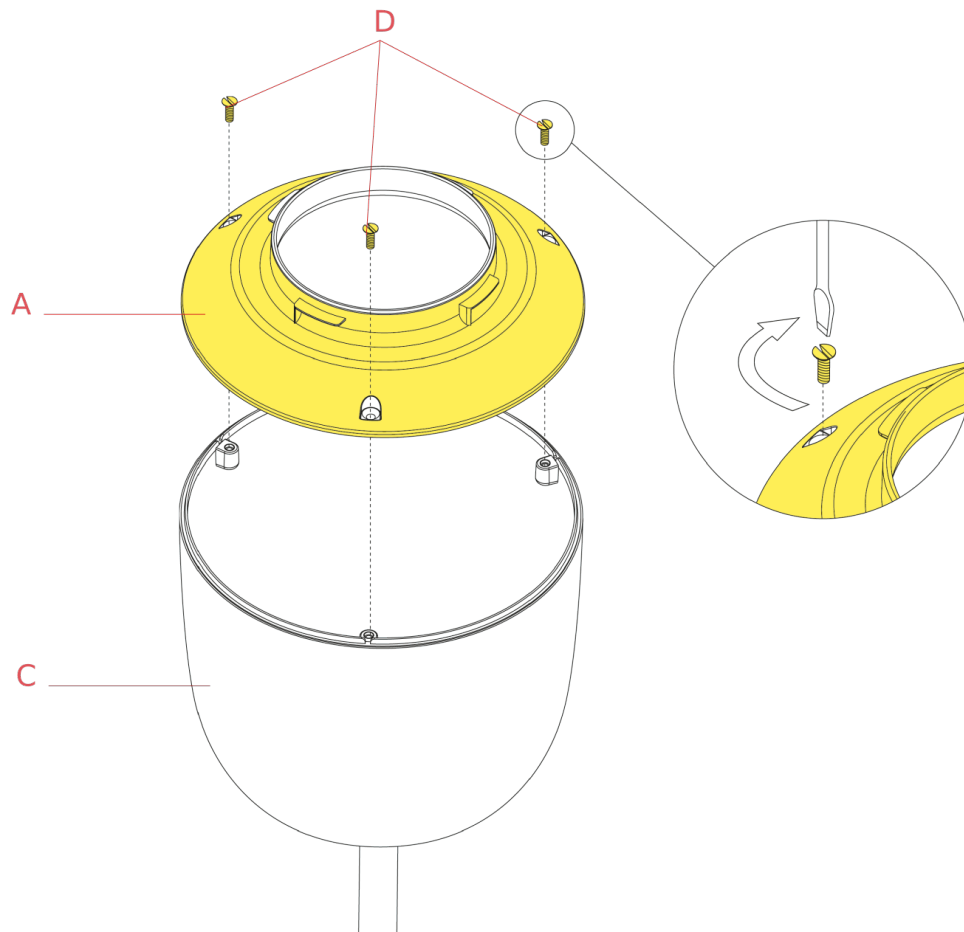


Fig.2

Assemble the reflector ring (A) onto the internal diffuser (C) with the three screws (D) provided (utilize a flat screwdriver).

WARNING! When installing and whenever acting on the appliance, ensure that the power supply has been switched off. For the installation of the spare-part, it is necessary to consult a qualified electrician.

**F7751009**

Tatou Table 1-Suspension 1 white assembly diffuser

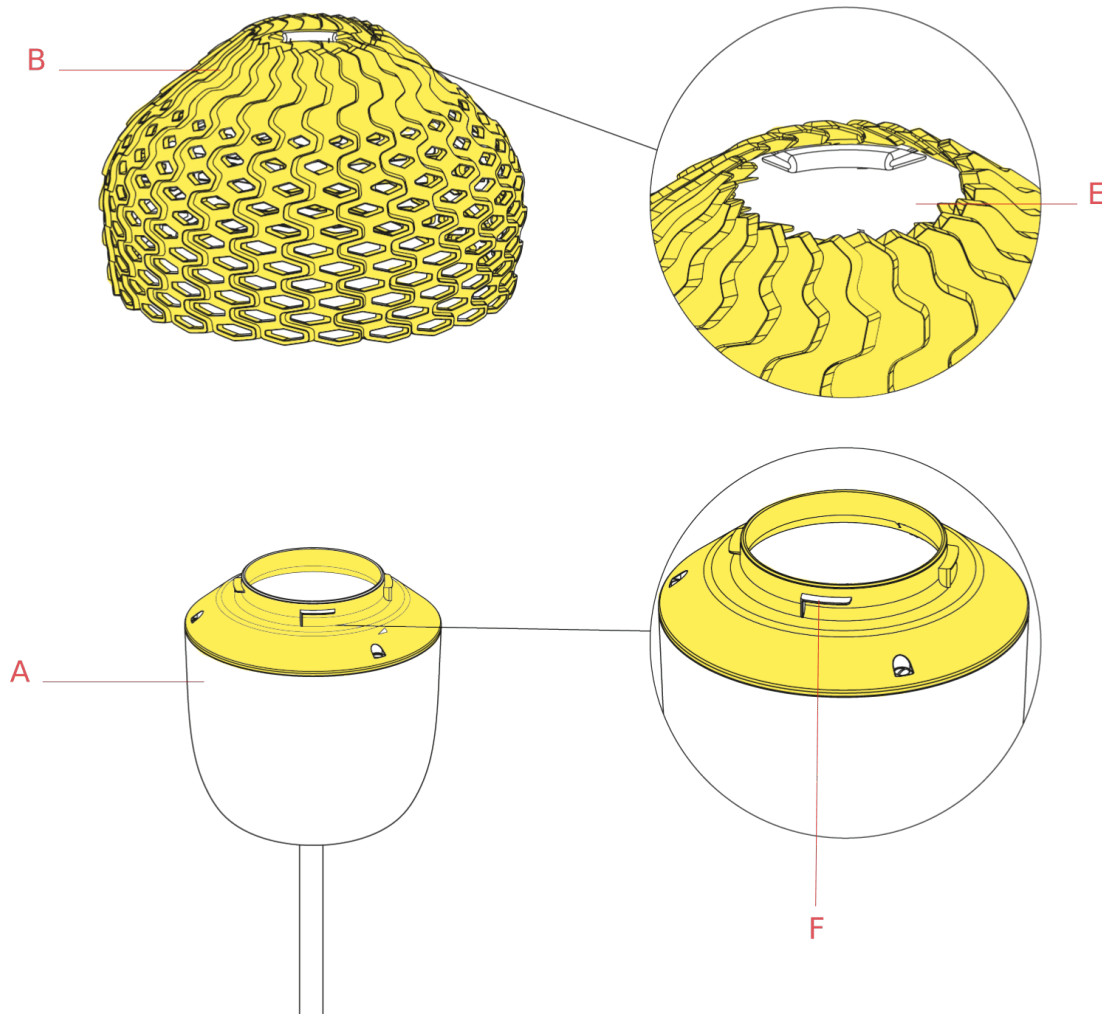


Fig.3

Insert the lamp bulb.

Assemble the external diffuser (B) onto the reflector ring (A) being careful to make the three hooks (F) present on the reflector ring (A) correspond with the relative housings (E) present on the external diffuser (B).

At this point, lock the external diffuser by rotating it slightly clockwise.

WARNING! When installing and whenever acting on the appliance, ensure that the power supply has been switched off.  
For the installation of the spare-part, it is necessary to consult a qualified electrician.

**F7751009**

Tatou Table 1-Suspension 1 white assembly diffuser

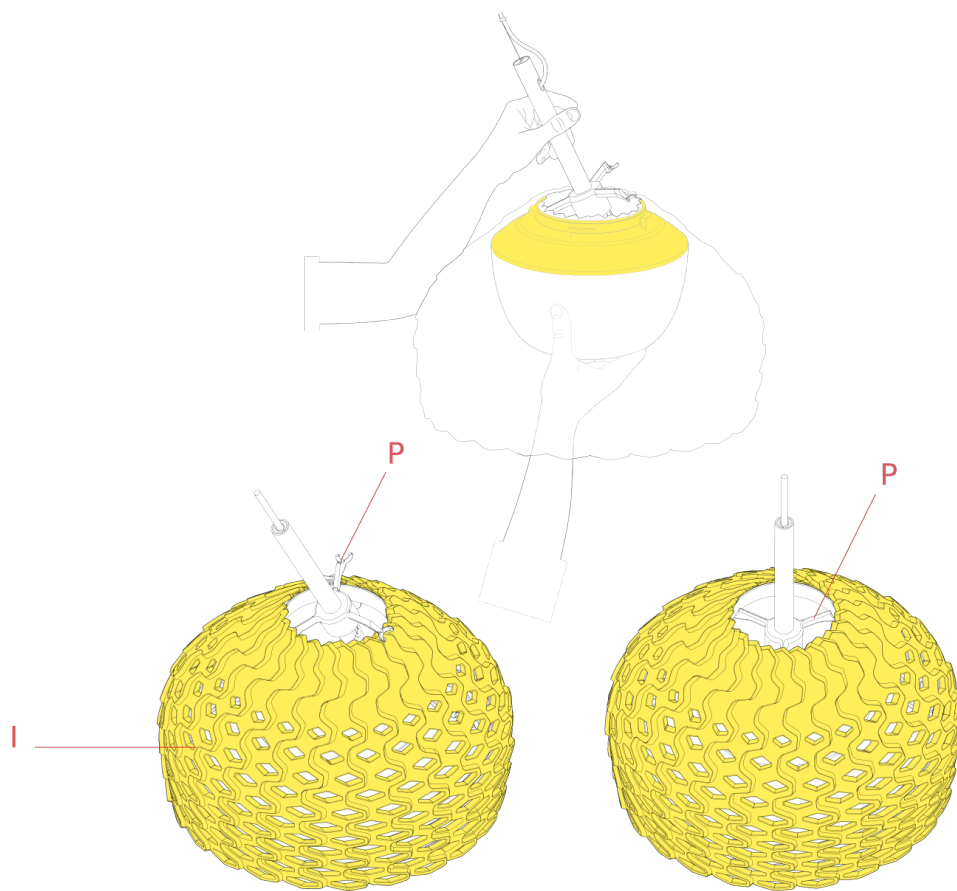


Fig.4

Fit the diffuser (I) onto the supports of the three arms (P), by tilting the supports as shown in the image, by inserting first the lamp-bulb and one arm through the lamp hole.

WARNING! When installing and whenever acting on the appliance, ensure that the power supply has been switched off. For the installation of the spare-part, it is necessary to consult a qualified electrician.