

RF3748200

Luce Orizzontale Suspension 3 Linear diffuser



WARNING! When installing and whenever acting on the appliance, ensure that the power supply has been switched off.
For the installation of the spare-part, it is necessary to consult a qualified electrician.

RF3748200

Luce Orizzontale Suspension 3 Linear diffuser

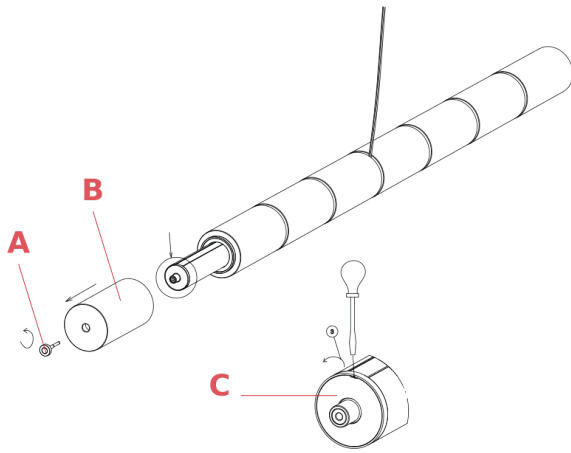


Fig.1

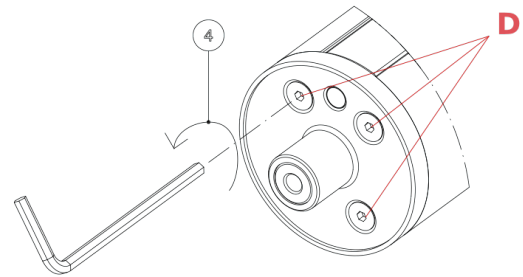


Fig.2

Fig. 1 - unscrew the Touch control command (A) and remove it from the lamp body. Remove the terminal closed glass from the lamp body.

Fig. 2 - Using a flat screwdriver, remove the disc (A). Using an Allen key, unscrew the screws (D).

WARNING! When installing and whenever acting on the appliance, ensure that the power supply has been switched off.
For the installation of the spare-part, it is necessary to consult a qualified electrician.

RF3748200

Luce Orizzontale Suspension 3 Linear diffuser

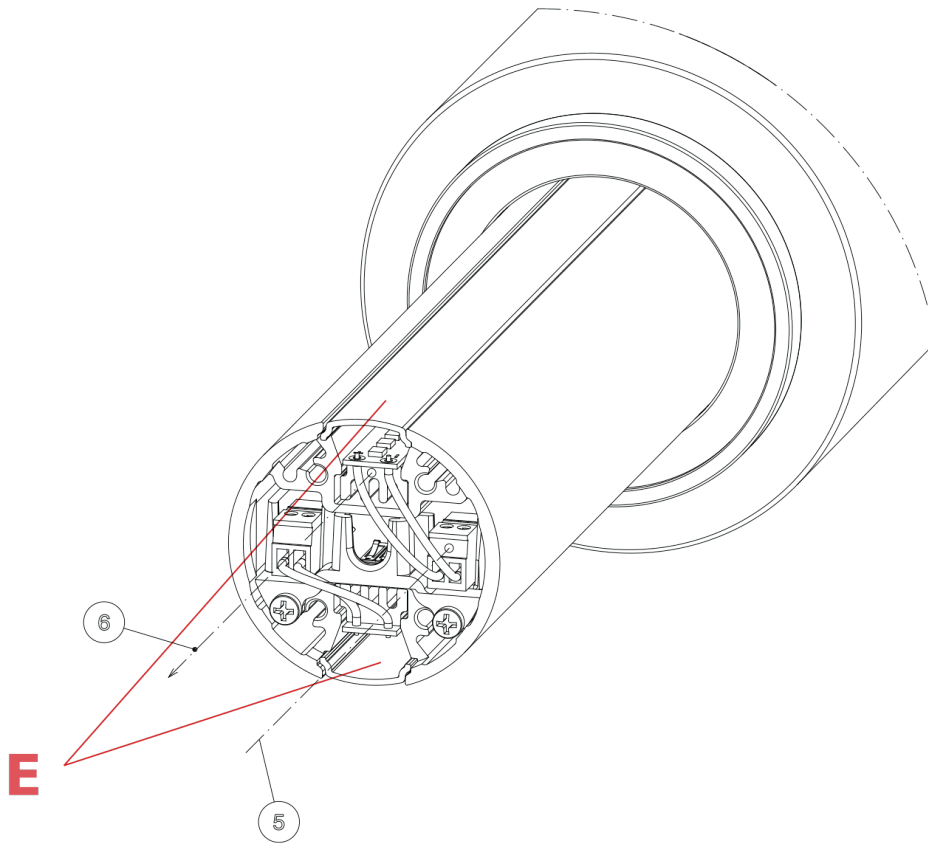


Fig.3

Fig. 3 - remove the old diffuser to be replaced (E).

Perform the procedure in reverse to connect the new LED strip.

WARNING! When installing and whenever acting on the appliance, ensure that the power supply has been switched off. For the installation of the spare-part, it is necessary to consult a qualified electrician.