

# F6608046

Taccia led Anodized bronze base



WARNING! When installing and whenever acting on the appliance, ensure that the power supply has been switched off. For the installation of the spare-part, it is necessary to consult a qualified electrician.

**F6608046**

Taccia led Anodized bronze base

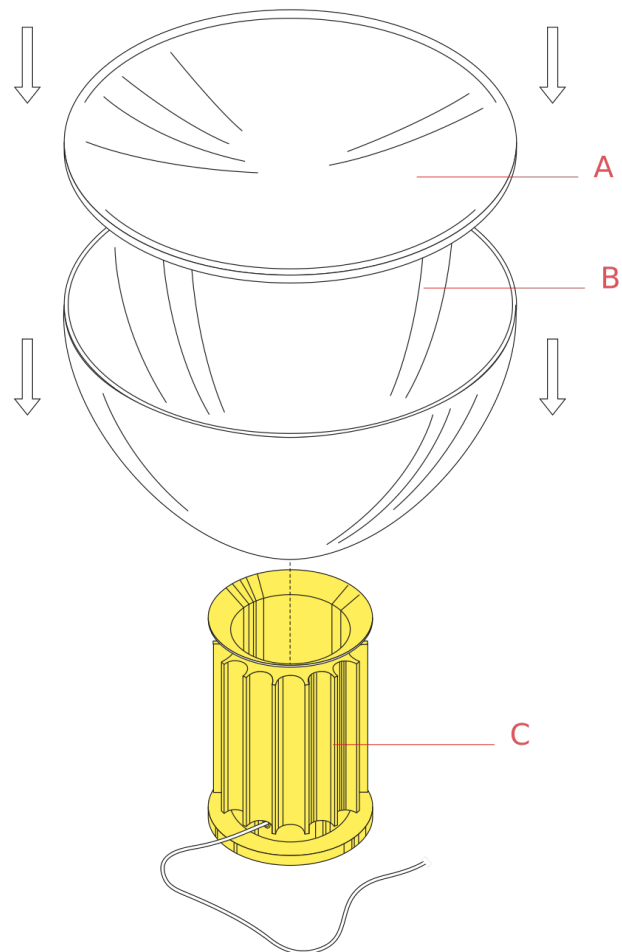


Fig.1

Position the diffuser (B) and the reflector (A) on the base (C).

WARNING! When installing and whenever acting on the appliance, ensure that the power supply has been switched off.  
For the installation of the spare-part, it is necessary to consult a qualified electrician.