

RF5912100

Kit of quantity 4 adjustable feet



WARNING! When installing and whenever acting on the appliance, ensure that the power supply has been switched off.
For the installation of the spare-part, it is necessary to consult a qualified electrician.

RF5912100

Kit of quantity 4 adjustable feet

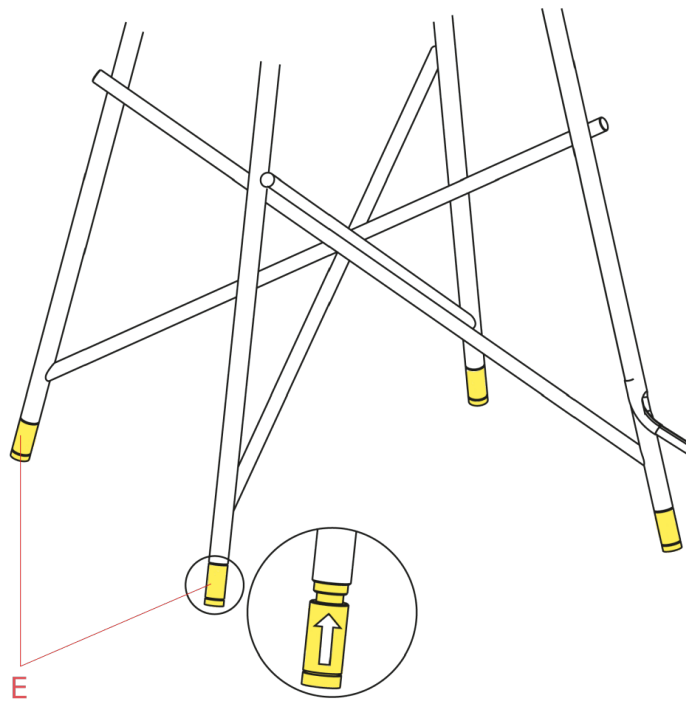


Fig.1

Screw the adjustable feet (E) to the lamp legs.

WARNING! When installing and whenever acting on the appliance, ensure that the power supply has been switched off.
For the installation of the spare-part, it is necessary to consult a qualified electrician.