

**RF13990**

External ring



WARNING! When installing and whenever acting on the appliance, ensure that the power supply has been switched off.  
For the installation of the spare-part, it is necessary to consult a qualified electrician.

**RF13990**

External ring

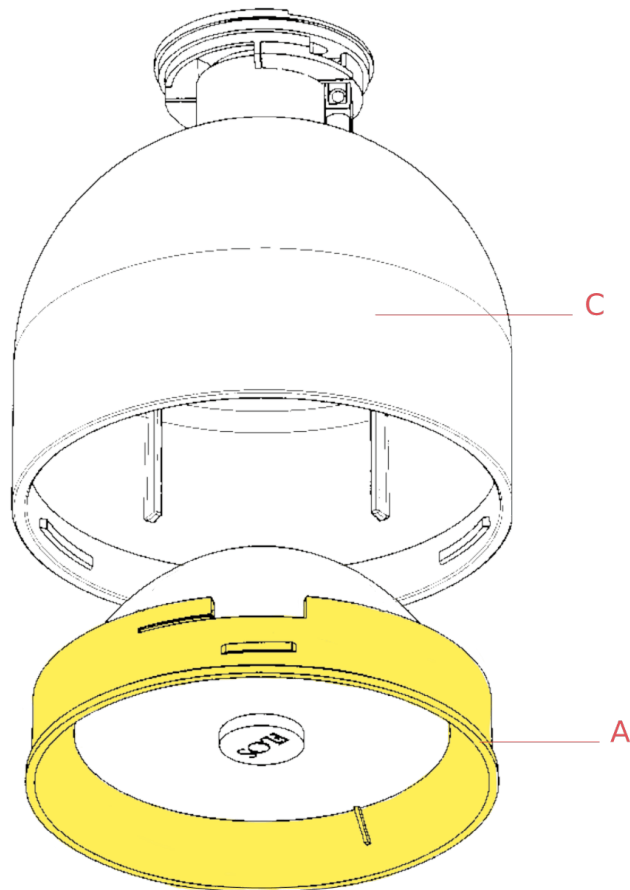


Fig.1

Remove the reflector/diffuser (A), unhooking it from the body (C) by slight rotating it anticlockwise.

WARNING! When installing and whenever acting on the appliance, ensure that the power supply has been switched off.  
For the installation of the spare-part, it is necessary to consult a qualified electrician.

**RF13990**

External ring



Fig.2



Fig.3

Remove the Reflector (B) from the damaged external ring (D).  
Unlock the reflector (B) out from the safety locks (E).

WARNING! When installing and whenever acting on the appliance, ensure that the power supply has been switched off.  
For the installation of the spare-part, it is necessary to consult a qualified electrician.

**RF13990**

External ring



Fig.4



Fig.5

Remove the glass diffuser (F) from the damaged external ring (D).  
Assemble now the new spare-part:  
Position the glass diffuser (F) on top of the external ring (D).

WARNING! When installing and whenever acting on the appliance, ensure that the power supply has been switched off.  
For the installation of the spare-part, it is necessary to consult a qualified electrician.

**RF13990**

External ring



Fig.6



Fig.7

Position the reflector (B) on top of the external ring (D).

Lock the reflector (B) inside the safety lock system (E).

Assemble the reflector/diffuser assembly (A), by hooking it on the lamp body (C) rotating it clockwise. (Fig. 1 page 1).

WARNING! When installing and whenever acting on the appliance, ensure that the power supply has been switched off.  
For the installation of the spare-part, it is necessary to consult a qualified electrician.

**RF13990**

External ring

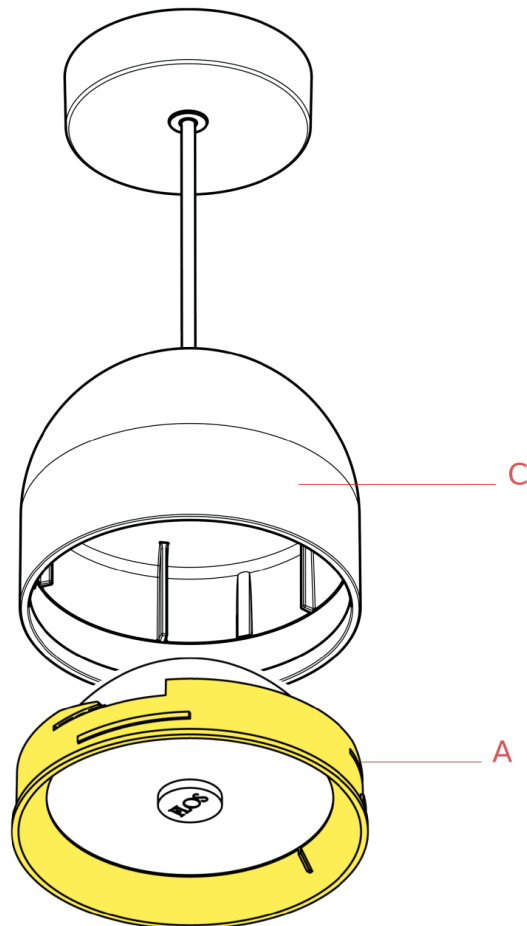


Fig.1

Remove the reflector/diffuser (A), unhooking it from the body (C) by slight rotating it anticlockwise.

WARNING! When installing and whenever acting on the appliance, ensure that the power supply has been switched off.  
For the installation of the spare-part, it is necessary to consult a qualified electrician.

**RF13990**

External ring



Fig.2



Fig.3

Remove the Reflector (B) from the damaged external ring (D).  
Unlock the reflector (B) out from the safety locks (E).

WARNING! When installing and whenever acting on the appliance, ensure that the power supply has been switched off.  
For the installation of the spare-part, it is necessary to consult a qualified electrician.

**RF13990**

External ring



Fig.4



Fig.5

Remove the glass diffuser (F) from the damaged external ring (D).  
Assemble now the new spare-part:  
Position the glass diffuser (F) on top of the external ring (D).

WARNING! When installing and whenever acting on the appliance, ensure that the power supply has been switched off.  
For the installation of the spare-part, it is necessary to consult a qualified electrician.

**RF13990**

External ring



Fig.6



Fig.7

Position the reflector (B) on top of the external ring (D).

Lock the reflector (B) inside the safety lock system (E).

Assemble the reflector/diffuser assembly (A), by hooking it on the lamp body (C) rotating it clockwise. (Fig. 1 page 1).

WARNING! When installing and whenever acting on the appliance, ensure that the power supply has been switched off.  
For the installation of the spare-part, it is necessary to consult a qualified electrician.