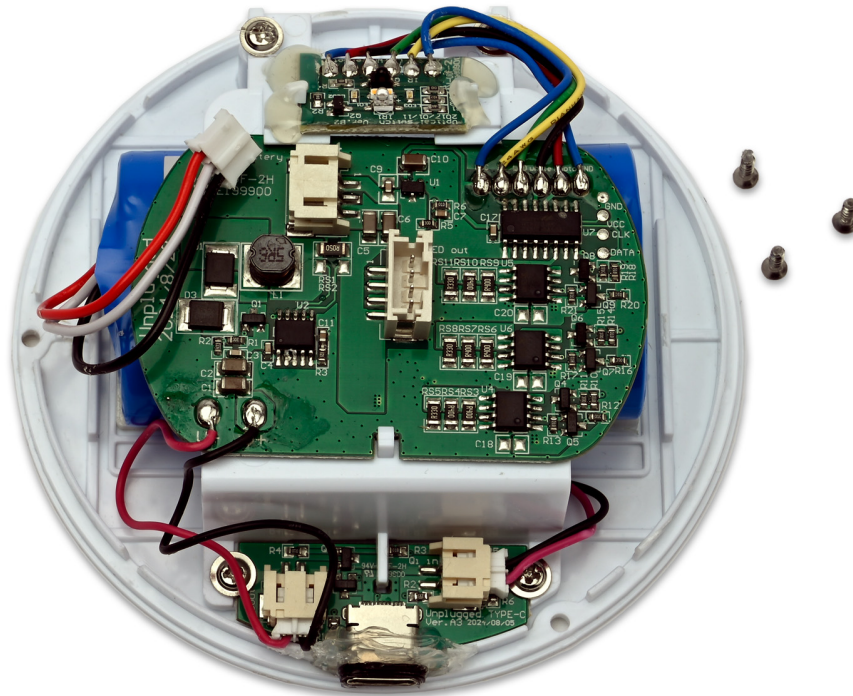


RF1040100

Bon Jour Unplugged Wireless - Base assembly with battery kit



WARNING! When installing and whenever acting on the appliance, ensure that the power supply has been switched off. For the installation of the spare-part, it is necessary to consult a qualified electrician.

RF1040100

Bon Jour Unplugged Wireless - Base assembly with battery kit

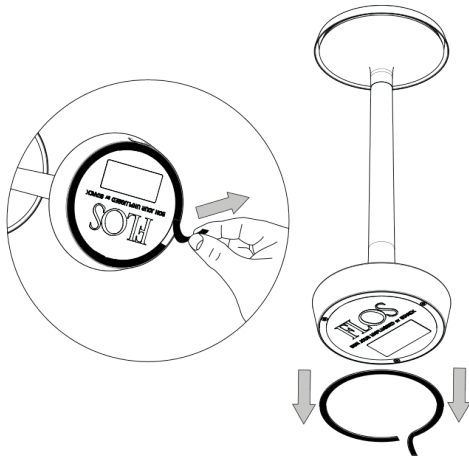


Fig.1

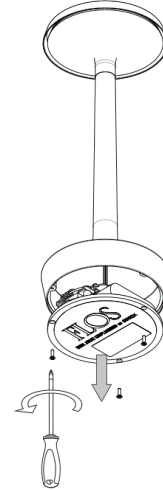


Fig.2

WARNING! When installing and whenever acting on the appliance, ensure that the power supply has been switched off.
For the installation of the spare-part, it is necessary to consult a qualified electrician.

RF1040100

Bon Jour Unplugged Wireless - Base assembly with battery kit

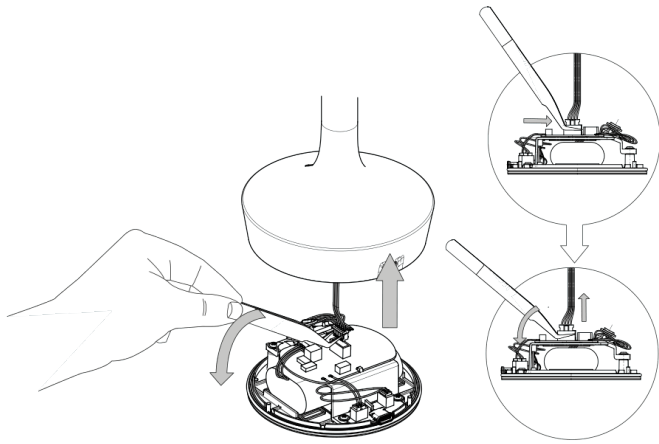


Fig.3

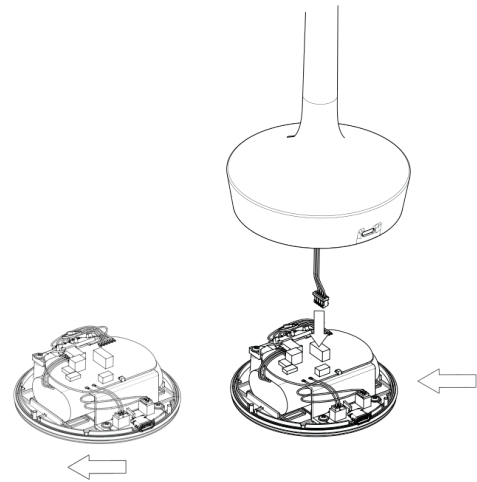


Fig.4

WARNING! When installing and whenever acting on the appliance, ensure that the power supply has been switched off.
For the installation of the spare-part, it is necessary to consult a qualified electrician.

RF1040100

Bon Jour Unplugged Wireless - Base assembly with battery kit

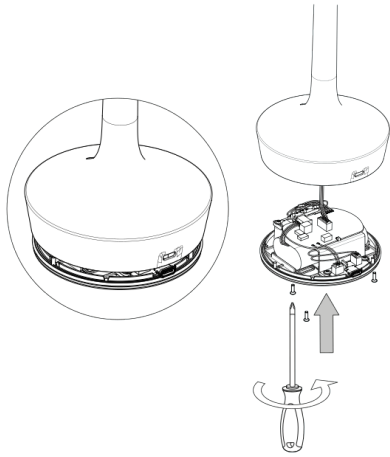


Fig.5

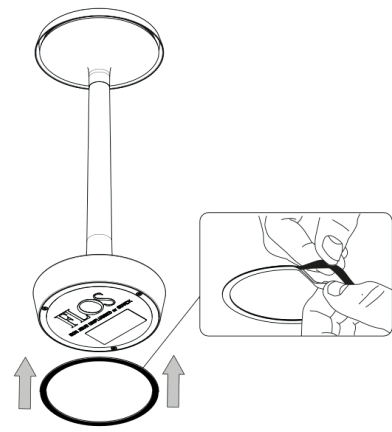


Fig.6

WARNING! When installing and whenever acting on the appliance, ensure that the power supply has been switched off.
For the installation of the spare-part, it is necessary to consult a qualified electrician.