

**RF15719**

Button Silicone Seal Shore Transparent 62x13x1,5



WARNING! When installing and whenever acting on the appliance, ensure that the power supply has been switched off.  
For the installation of the spare-part, it is necessary to consult a qualified electrician.

**RF15719**

Button Silicone Seal Shore Transparent 62x13x1,5

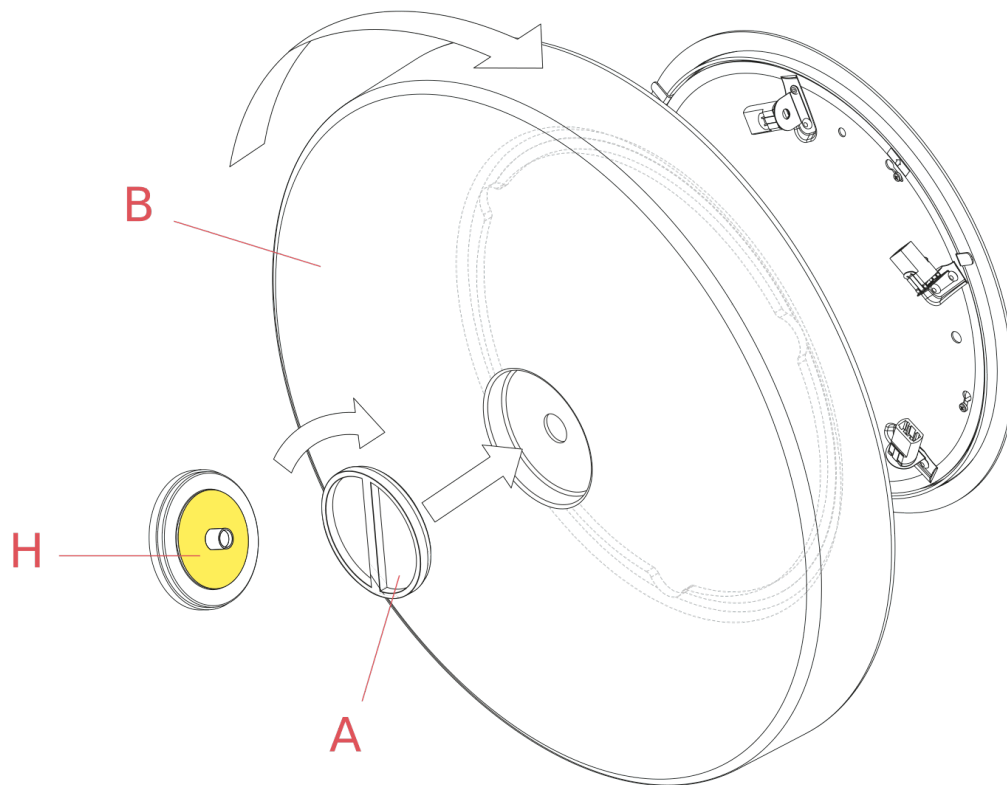


Fig.3

Position the diffuser (B) to the lamp onto the lamp structure. Ensure that the gasket (H) is located correctly on the frieze (A). Lock the diffuser to the lamp structure by rotating the frieze (A) clockwise.

WARNING! When installing and whenever acting on the appliance, ensure that the power supply has been switched off. For the installation of the spare-part, it is necessary to consult a qualified electrician.