

RF15854

Ray T - Diffuser support



WARNING! When installing and whenever acting on the appliance, ensure that the power supply has been switched off.
For the installation of the spare-part, it is necessary to consult a qualified electrician.

RF15854

Ray T - Diffuser support

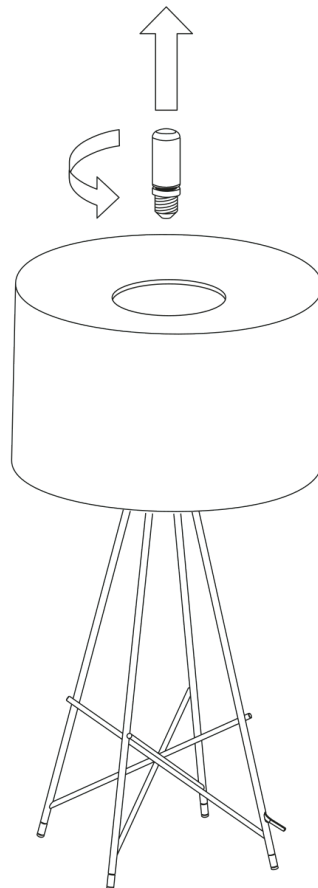


Fig.1

Verify that the lamp-bulb has been removed from the device.

WARNING! When installing and whenever acting on the appliance, ensure that the power supply has been switched off.
For the installation of the spare-part, it is necessary to consult a qualified electrician.

RF15854

Ray T - Diffuser support

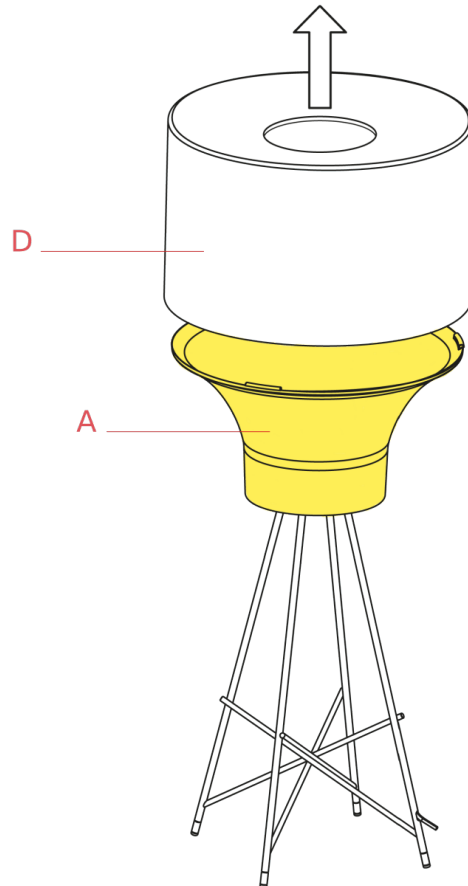


Fig.2

Remove the diffuser (D) from its support (A).

WARNING! When installing and whenever acting on the appliance, ensure that the power supply has been switched off.
For the installation of the spare-part, it is necessary to consult a qualified electrician.

RF15854

Ray T - Diffuser support

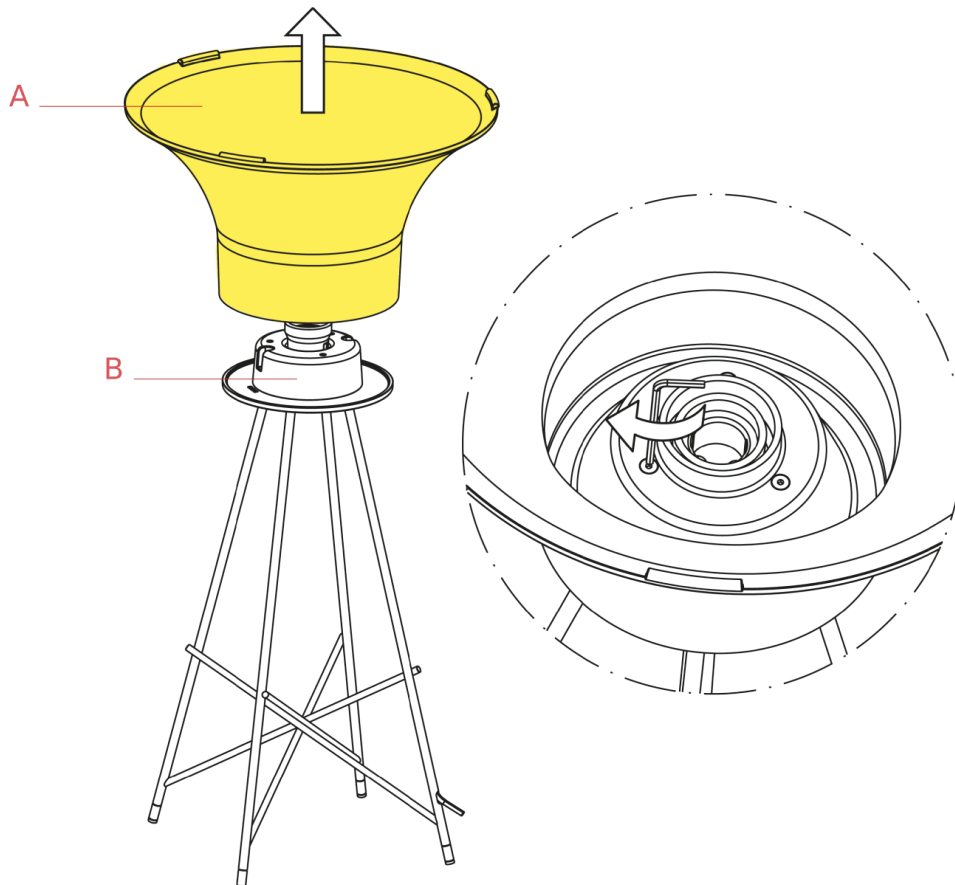


Fig.3

Unfasten the three screws (C) inside the diffuser support (A), by utilizing an Allen key and then remove the diffuser support (A) from the unit (B).

Assemble now the new spare-part:

Assemble the diffuser support (A) on the unit (B) by fastening the screws (C).

Collocate the diffuser (D) on the diffuser support (A). (Fig.2 page 2)

Insert the lamp-bulb. (Fig.1 page 1)

WARNING! When installing and whenever acting on the appliance, ensure that the power supply has been switched off.
For the installation of the spare-part, it is necessary to consult a qualified electrician.