

RF11710

Spun Light Table 1 black diffusers



WARNING! When installing and whenever acting on the appliance, ensure that the power supply has been switched off.
For the installation of the spare-part, it is necessary to consult a qualified electrician.

RF11710

Spun Light Table 1 black diffusers

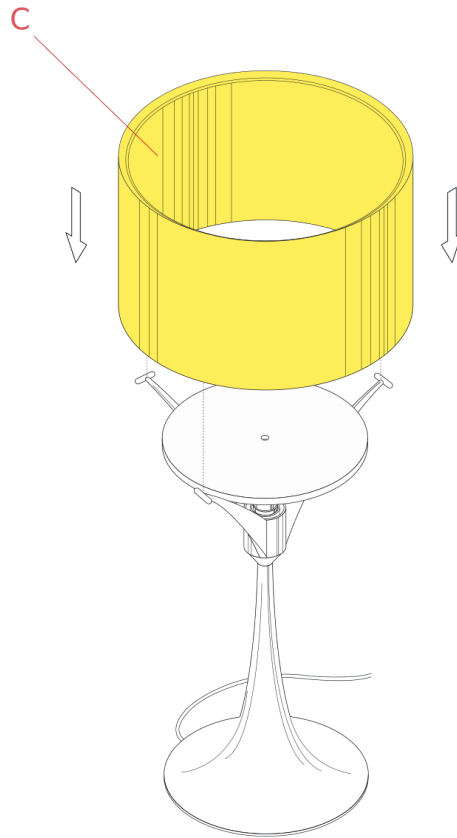


Fig.1

Place the diffuser (C) on the lamp body.

WARNING! When installing and whenever acting on the appliance, ensure that the power supply has been switched off.
For the installation of the spare-part, it is necessary to consult a qualified electrician.