

F6510000

Taccia transparent diffuser & reflector



WARNING! When installing and whenever acting on the appliance, ensure that the power supply has been switched off.
For the installation of the spare-part, it is necessary to consult a qualified electrician.

F6510000

Taccia transparent diffuser & reflector

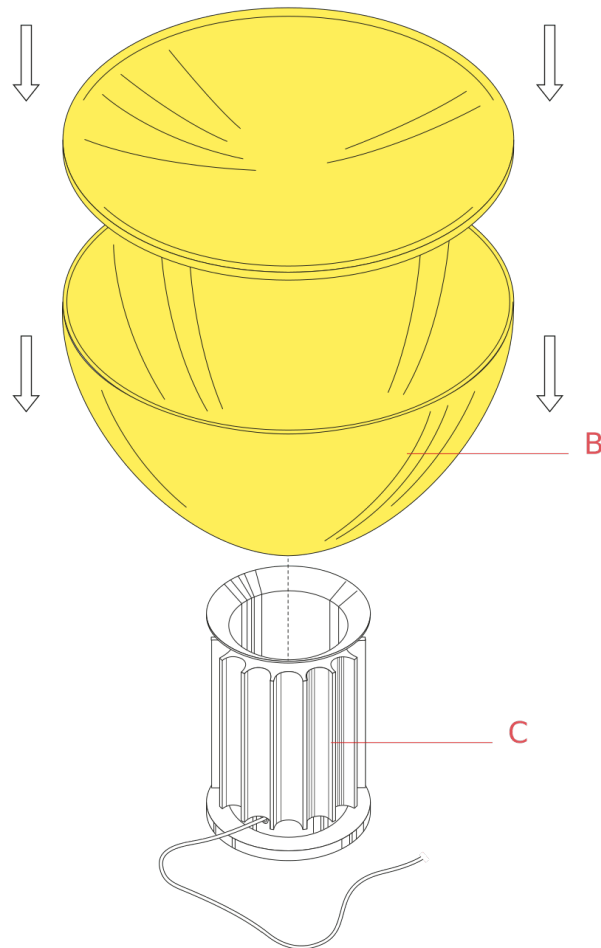


Fig.1

Position the diffuser (B) and the reflector (A) on the base (C).

WARNING! When installing and whenever acting on the appliance, ensure that the power supply has been switched off. For the installation of the spare-part, it is necessary to consult a qualified electrician.